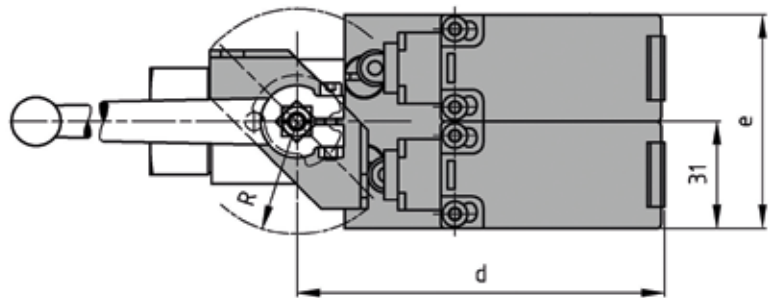
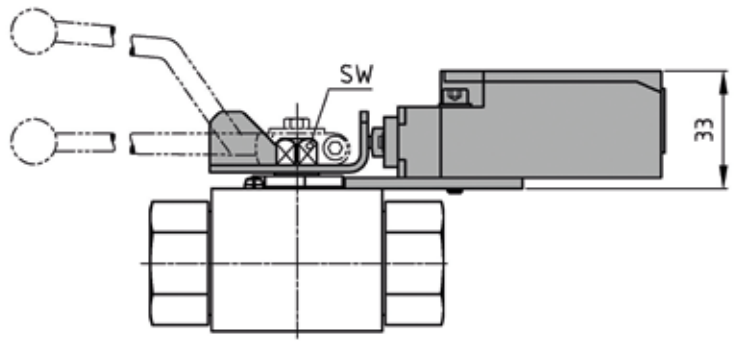


# Assembling set with mechanical limit switches



## Mechanical limit switch properties

- Body material: thermoplastic, glass fiber reinforced
- Protection type: IP66/IP67 as per EN 60529
- NC/NO contact
- Utilization category AC-15, Ue/Ie 240V/3A (DC usage also possible)
- Cable entry: 1 x M20x1,5
- Ambient air temp.: -30°C / +75°C

## DIMENSIONS

DN	SW	d	e	R
4-8	9	102	60	32
10	9	102	60	32
13	9	102	60	32
16	12	108	73	40
20	14	106	70	37,5
25	14	106	70	37,5
32-50	17	114	85	49

## ORDER CODE PER MATERIAL

Steel
048 21648
048 21649
048 21650
048 21651
048 21652
048 21653
048 21654

## ORDER EXAMPLE

Mounting set consisting of switch cam, fixing plate with screws and limit switch(es) with screws and washers:

order text	article no.
Limit switch assembling set for ball valve DN 4-8	048 21648

Assembled with ball valves:

ball valve type (ball valve design: see data sheets)	article no.	description
BKH - DN13 - G1/2 - 112A	17253	with limit switch assembling set

## MOUNTING SETS ARE VALID FOR

Type	BKH / BKHP 420	BKH-AS	MKHP420	MKHP-AS	BK3 / BK3-S
Page	16 - 23	36	24 - 30	37	94 - 104