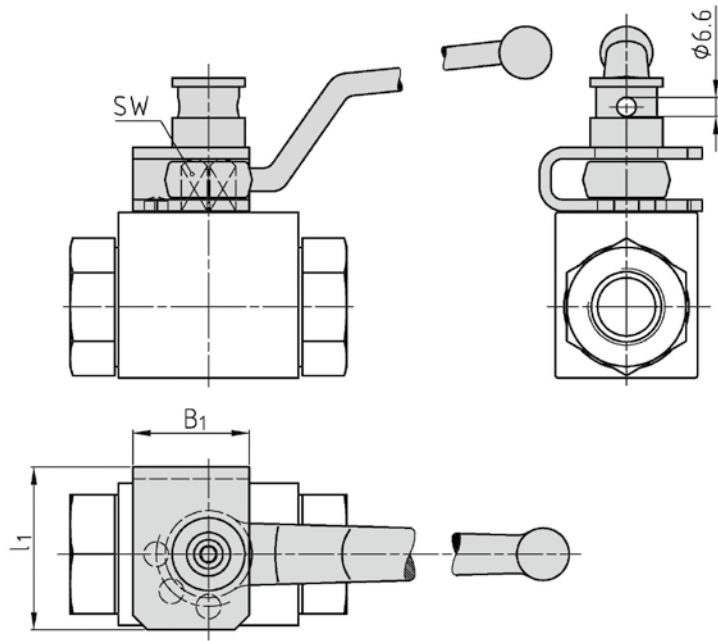
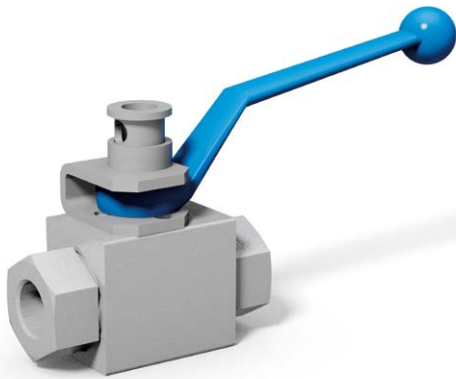


Locking device type 1 Steel



- Universal locking device
- Suitable as retrofit
- Cannot be dismantled when locked
- High security against tampering disassembly
- Bent handle is part of delivery

DIMENSIONS				ORDER CODE PER MATERIAL**		
DN	SW	B_1	l_1	Steel	Stainless Steel	*Article usually in stock.
4-13	9	25	33	052 18230*	on request	**Valid for flow through ball valves
16	12	40	50	052 18231*	on request	
20-25	14	40	56	052 18232*	on request	
32-50	17	50	64	052 18233*	on request	

ORDER EXAMPLE

Mounting set consisting of shackle, sliding sleeve, link with screw and steel lever:

order text	article no.
Locking device type 1 for ball valve DN 4-13	052 18230

Assembled with ball valves:

ball valve type (ball valve design: see data sheets)	article no.	description
BKH - DN13 - G1/2 - 112A	17253	with locking device type 1

MOUNTING SETS ARE VALID FOR

Type	BKH / BKHP500	MKHP420 Steel	BKH-AS	MKHP-AS Steel	BKH / BKHP-SAEFS	MKHP-SAEFS Steel	BKH / BKHP-SAE	MKHP-SAE Steel	BK3 / BK3-S	3KH	PKH	BKHP800	MKHP800
Page	14 - 21	22 - 24	34	35	38 - 41	42 - 43	46 - 49	50 - 51	92 - 102	108 - 114	124 - 127	140 - 141	142 - 143