

AVAILABLE SIZES

- DN10-G1/2
- DN20-G1
- DN32-G1 1/2

ACCESSORIES ON REQUEST

- Locking devices on request
- Adapters on request

DESCRIPTION

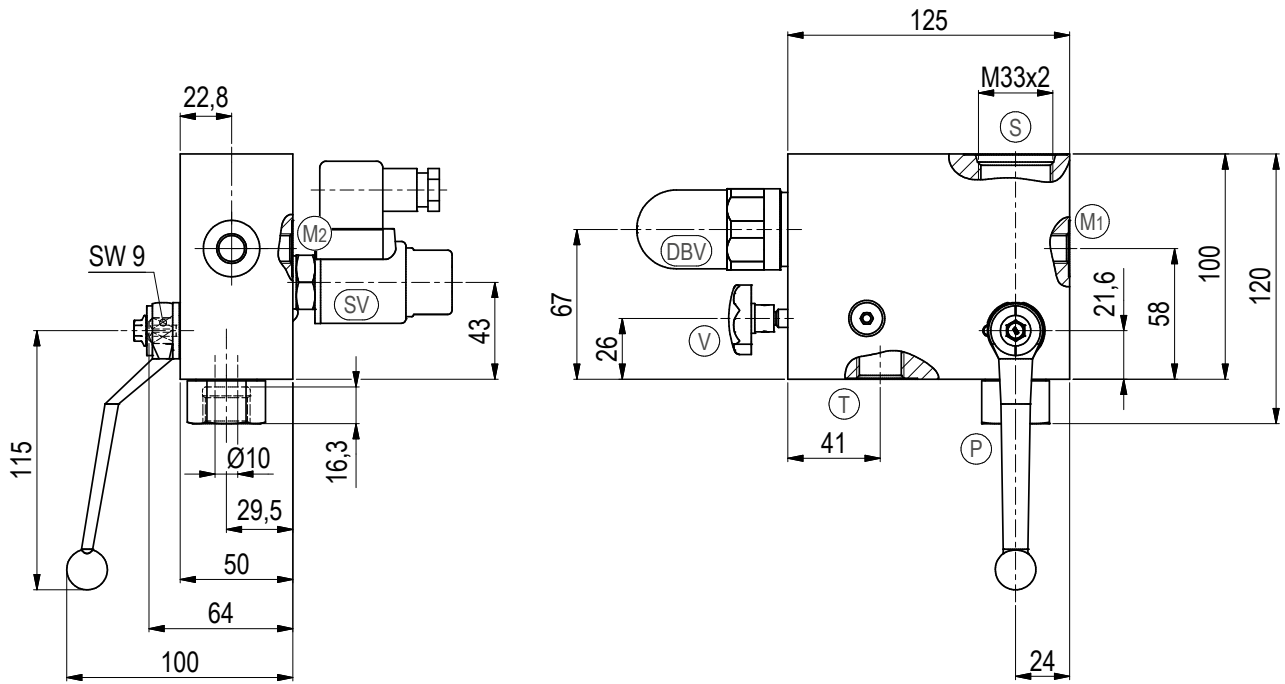
The block is intended for protection, isolation and depressurization of hydraulic accumulators. It can be manually relieved or on request prepared and equipped with solenoid-operated relief valves.

Maximum working pressure

- Manual operation: 400 bar
- Manual and solenoid operation: 350 bar

ORDER EXAMPLE

ASB	size	pump connector	relief type	MATERIALS				pressure setting DBV (bar)	Approval DBV
	DN10	G1/2	M	body	stem and ball	ball seat	O-ring	330	C
	DN10	G	M	1	1	2	A	leave blank if not required	C
	DN20	NPT	EO	1	1	g	8		N
	DN32		EC				B		CE
				carbon steel	carbon steel	POM	NBR		none
			manual and solenoid operation normally open			PEEK	Viton		
			manual and solenoid operation normally closed				EPDM		

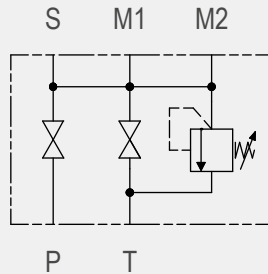


PORT DESCRIPTION

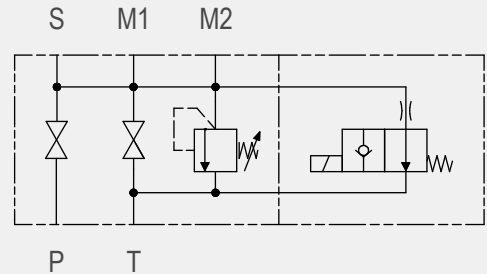
- P Pump connector**
G1/2 (DIN EN ISO 228-1)
M-version 400 bar
E-version 350 bar
- T Tank connector**
G1/2 (DIN EN ISO 228-1)
- S Accumulator connector**
- M1 Test gage connector**
G1/4 (DIN EN ISO 228-1)
- M2 Test gage connector**
G1/4 (DIN EN ISO 228-1)
- DBV Pressure relief valve**
cavity thread M35x1.5
- SV 2/2 solenoid valve**
cavity thread M22x1.5
- V Manual relief valve**

CIRCUIT DIAGRAM

MANUAL OPERATED

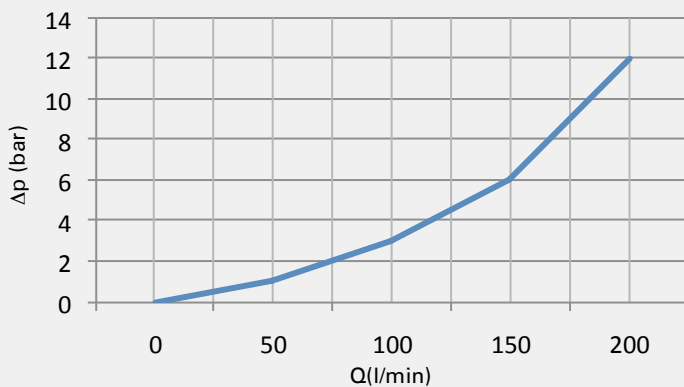


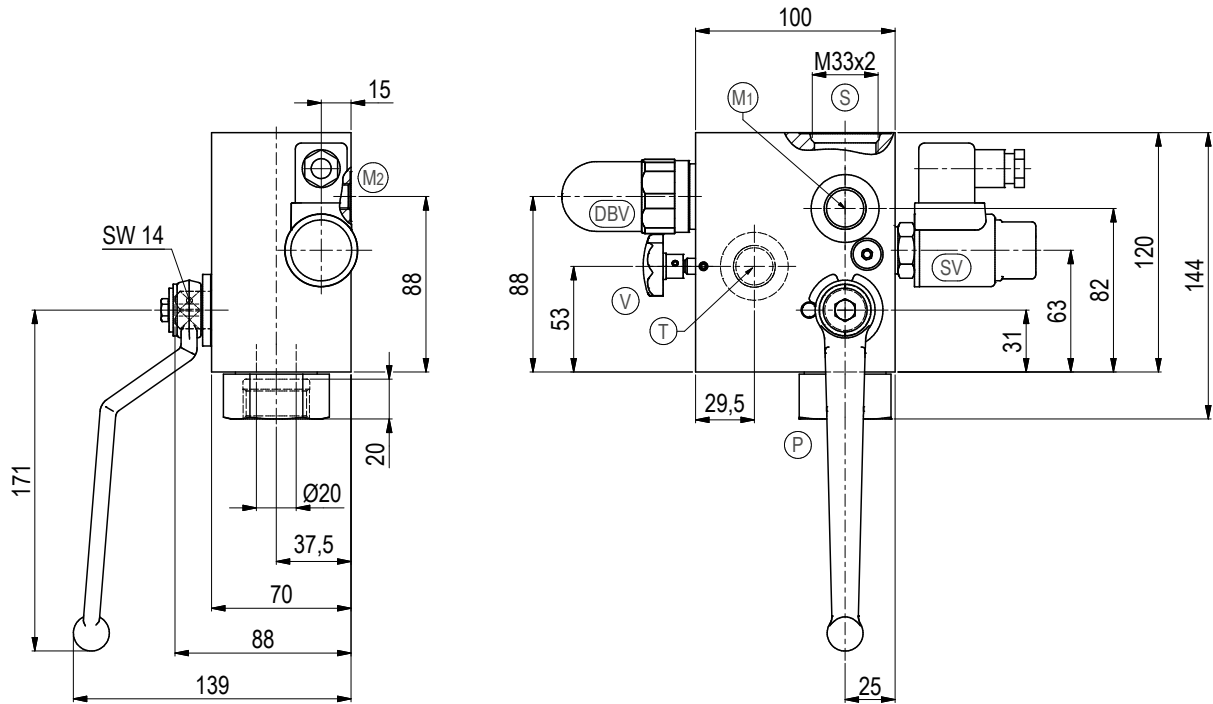
MANUAL AND SOLENOID OPERATED



FLOW CHARACTERISTICS

Flow direction: P-S



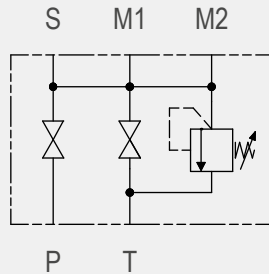


PORT DESCRIPTION

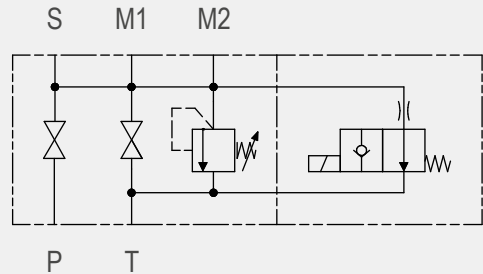
- P** **Pump connector**
G1 (DIN EN ISO 228-1)
M-version 400 bar
E-version 350 bar
- T** **Tank connector**
G1/2 (DIN EN ISO 228-1)
- S** **Accumulator connector**
- M1** **Test gage connector**
G1/2 (DIN EN ISO 228-1)
- M2** **Test gage connector**
G1/4 (DIN EN ISO 228-1)
- DBV** **Pressure relief valve**
cavity thread M35x1.5
- SV** **2/2 solenoid valve**
cavity thread M22x1.5
- V** **Manual relief valve**

CIRCUIT DIAGRAM

MANUAL OPERATED

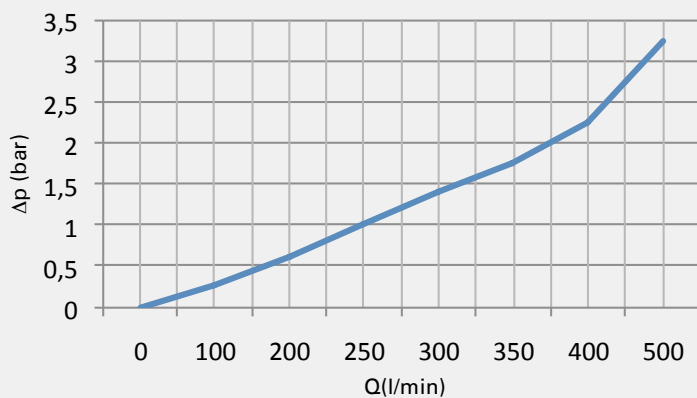


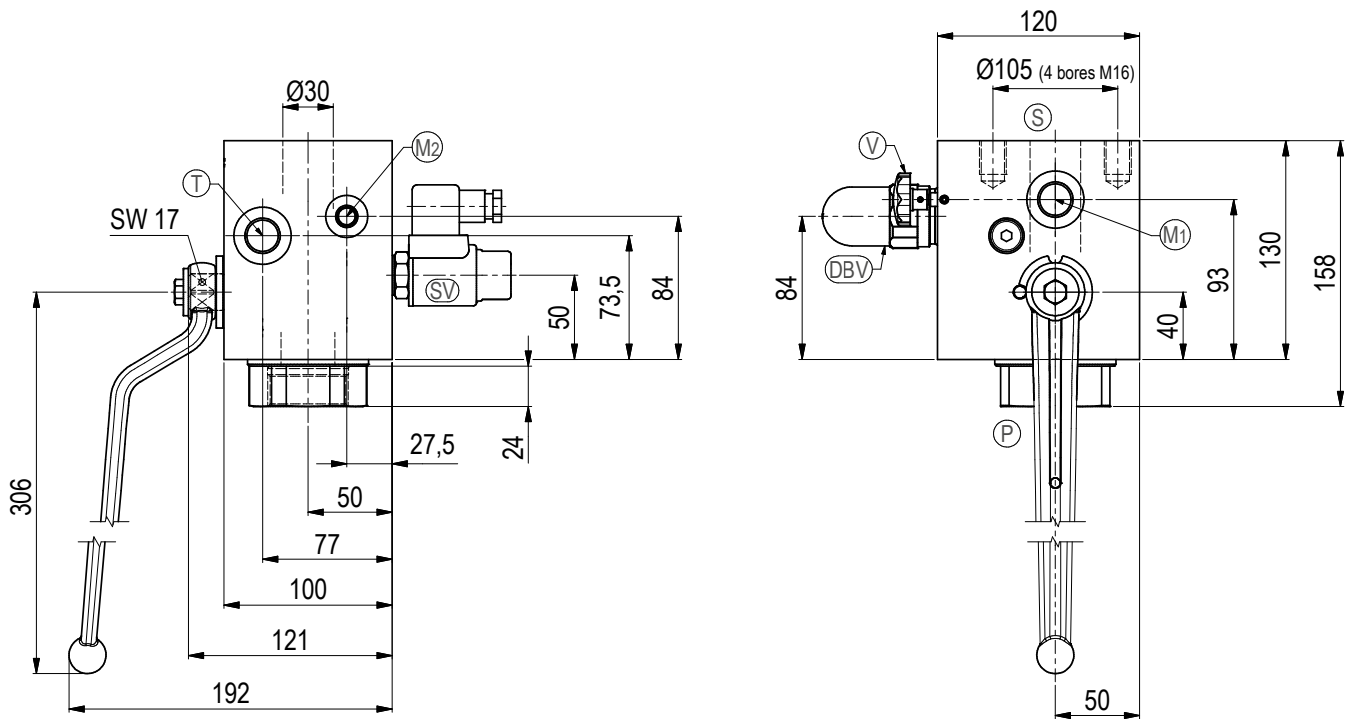
MANUAL AND SOLENOID OPERATED



FLOW CHARACTERISTICS

Flow direction: P-S



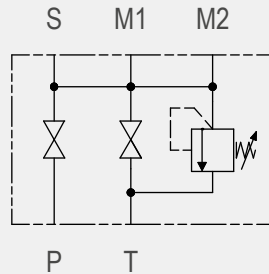


PORT DESCRIPTION

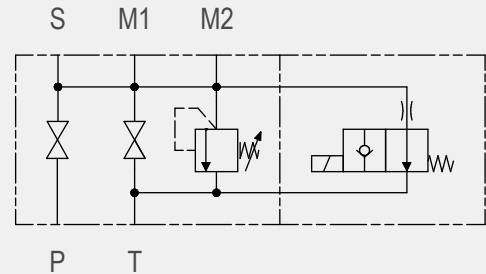
- P** **Pump connector**
G1 1/2 (DIN EN ISO 228-1)
M-version 400 bar
E-version 350 bar
- T** **Tank connector**
G1/2 (DIN EN ISO 228-1)
- S** **Accumulator connector**
- M1** **Test gage connector**
G1/2 (DIN EN ISO 228-1)
- M2** **Test gage connector**
G1/4 (DIN EN ISO 228-1)
- DBV** **Pressure relief valve**
cavity thread M35x1.5
- SV** **2/2 solenoid valve**
cavity thread M22x1.5
- V** **Manual relief valve**

CIRCUIT DIAGRAM

MANUAL OPERATED



MANUAL AND SOLENOID OPERATED



FLOW CHARACTERISTICS

Flow direction: P-S

