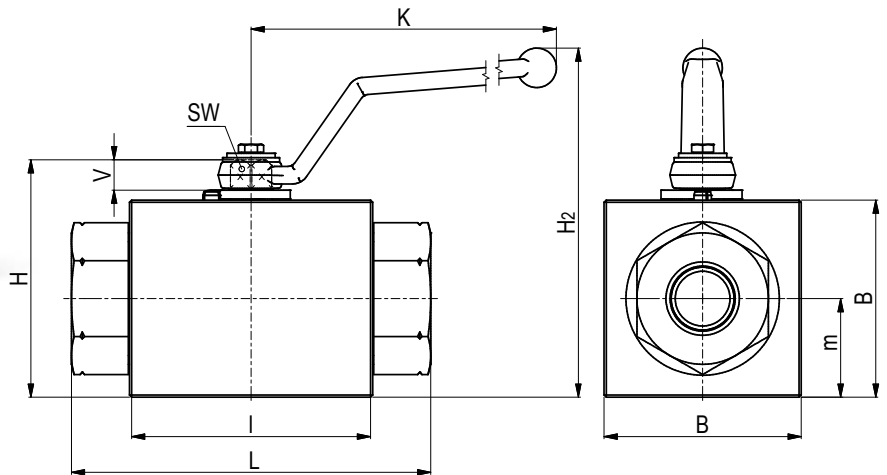
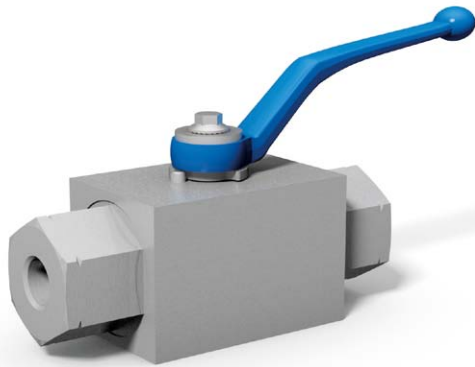


# Highest-pressure ball valve Steel

## BKHP800



### AVAILABLE SIZES

DN4 - DN25 (1/8" to 1")

### CONNECTIONS

DIN 2353/ISO 8434-1 Heavy series, ANSI B1.20.1 NPT Female thread, others on request

### ACCESSORIES ON REQUEST

- Locking devices page 222 - 225
- Actuators 220 - 221
- Mounting holes on request
- Position switches on request
- Combinations on request
- Detent on request

### MATERIAL CODE DESCRIPTION

Materials	81bA	81b8
Body	Steel	Steel
Ball	Steel	Steel
Stem	Steel	Steel
Ball seats	POM	POM
O-rings	NBR	FPM
Tmin /Tmax	-20°C / 100°C	-20°C / 100°C

### GENERAL DIMENSIONS

Type	L	B	H	m	V	SW	K	H <sub>2</sub>	Lever
BKHP800-DN4	76	50	64	25	11	9	115	101	St
BKHP800-DN6	76	50	64	25	11	9	115	101	St
BKHP800-DN8	76	50	64	25	11	9	115	101	St
BKHP800-DN10	76	50	64	25	11	9	115	101	St
BKHP800-DN13	76	50	64	25	11	9	115	101	St
BKHP800-DN20	111	90	108	45	14	14	171	159	St
BKHP800-DN25	111	90	108	45	14	14	171	159	St

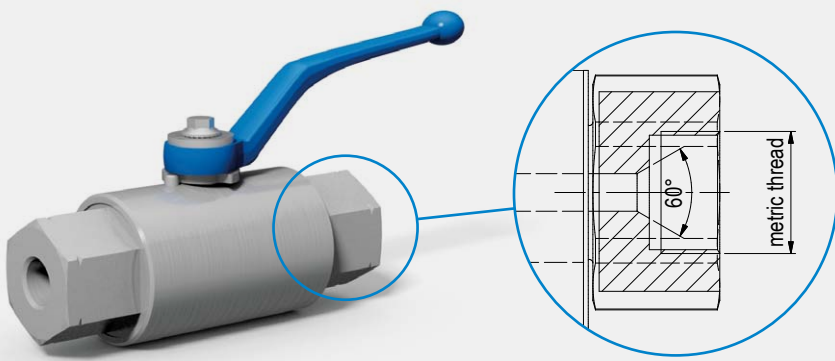


CONNECTION TYPE	DIMENSIONS							ORDER CODE PER MATERIAL COMBINATION		
DIN 2353/ISO 8434-1 HEAVY SERIES	Type	LW	RA	L	i	d	Weight [Kg]	PN [bar]	81bA	81b8
	BKHP800-DN4-8S	5	8	110	7	M 16x1,5	1,60	800	59607	59613
	BKHP800-DN6-10S	6	10	114	7,5	M 18x1,5	1,60	800	59608	59614
	BKHP800-DN8-12S	8	12	114	7,5	M 20x1,5	1,64	800	59609	59615
	BKHP800-DN10-14S	13	14	114	8	M 22x1,5	1,56	800	59610	59616
	BKHP800-DN13-16S	13	16	114	8,5	M 24x1,5	1,58	800	59611	59617
	BKHP800-DN13-20S	13	20	118	10,5	M 30x2	1,63	800	59612	59618
	BKHP800-DN20-25S	20	25	162	12	M 36x2	7,31	800	27019	59619
	BKHP800-DN25-30S	25	30	166	13,5	M 42x2	7,40	800	54861	51182

CONNECTION TYPE	Type	LW	L	i	d	Weight [Kg]	PN [bar]	81bA	81b8
ANSI B1.20.1 NPT FEMALE THREAD	BKHP800-DN6-1/4"NPT	6	130	13,7	1/4" NPT	1,92	800	59620	59623
	BKHP800-DN10-3/8"NPT	13	130	13,5	3/8" NPT	1,85	800	59621	59624
	BKHP800-DN13-1/2"NPT	13	130	17	1/2" NPT	1,79	800	59622	59625
	BKHP800-DN20-3/4"NPT	20	161	18,3	3/4" NPT	7,83	800	48989	51181
	BKHP800-DN25-1"NPT	25	164	21,6	1" NPT	7,68	800	30785	30164

Please note the pressure ratings of the tube connections!

## Available up to 2000 bar!



**MHA ZENTGRAF** can offer high pressure valves up to 2.000 bar (30.000 psi). Equipped with special high pressure connectors these valves are suitable for the most demanding applications.

Application-specific