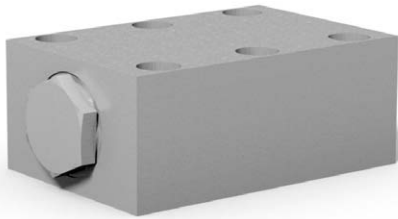
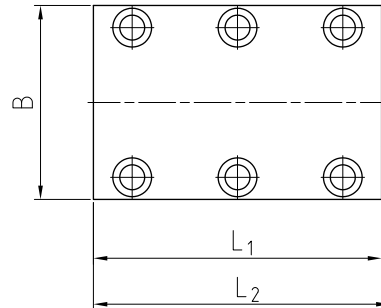
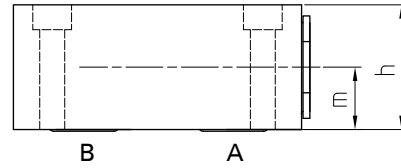


# Check valve for manifold mounting Steel

RVP



## AVAILABLE SIZES

DN6 - DN40 (1/4" to 1 1/2")

## MATERIAL CODE DESCRIPTION

Materials	83	85
Body	Steel	Steel
O-rings	NBR	FPM
Tmin /Tmax	-20°C / 100°C	-20°C / 100°C
Cracking pressure	0,5 bar*	0,5 bar*

\*Option: Cracking pressure PÖ 4,5 bar

## GENERAL DIMENSIONS

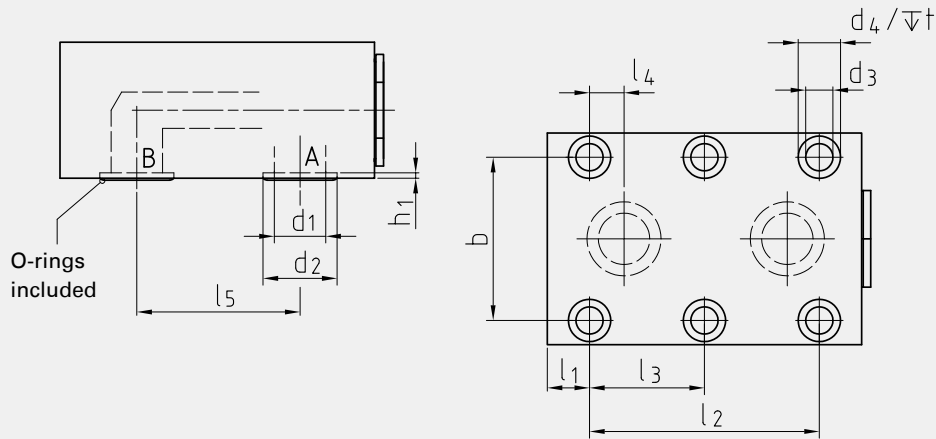
Type	m	h	B	L <sub>1</sub>	L <sub>2</sub>	Weight [kg]
RVP-DN6	8	16	41,5	41,5	47	0,20
RVP-DN8	10	20	46	63,5	70	0,40
RVP-DN10	12,5	25	51	70	75	0,63
RVP-DN12	16	32	57,5	80	86	1,06
RVP-DN16	22,5	45	70	104	110	2,23
RVP-DN20	25	50	76,5	127	133	3,33
RVP-DN25	27,5	55	100	165	171	5,80
RVP-DN30	37,5	75	115	186	192	10,89
RVP-DN40	50	100	140	192	206	18,20

## PORTING PATTERN



**!** Due to spring and manufacturing tolerances cracking pressures may deviate by  $\pm 30\%$ .

### ASSEMBLY DIMENSIONS



ASSEMBLY DIMENSIONS																	ORDER CODE PER MATERIAL COMBINATION		
Type	b	l <sub>1</sub>	l <sub>2</sub>	l <sub>3</sub>	l <sub>4</sub>	l <sub>5</sub>	d <sub>1</sub>	d <sub>2</sub>	h <sub>1</sub>	d <sub>3</sub>	d <sub>4</sub>	t	Dimension of screws (min) <sup>(1)</sup>	Torque of screws in Nm <sup>(1)</sup>	O-ring	PN [bar]	83	85	
RVP-DN6	28,5	6,4	19	-	1,6	16	5	9,8	1,2	6,5	10,5	6,8	4x M6x20 - 8.8	9	6,35x1,78	350	20321	37743	
RVP-DN8	33,5	14,2	35	-	4,5	25,5	7	12,4	1,4	6,5	10,5	6,8	4x M6x25 - 8.8	9	8,5x2	350	20322	37744	
RVP-DN10	38	18	33,5	-	4	25,5	10	15,7	1,4	6,5	10,5	6,8	4x M6x30 - 10.9	12	12x2	350	20323	37745	
RVP-DN12	44,5	21	38	-	4	30	13	18,7	1,4	6,5	10,5	6,8	4x M6x35 - 12.9	14	15x2	350	20324	37746	
RVP-DN16	54	14	76	38	11,4	54	17	23,9	1,9	8,5	13,5	9	6x M8x50 - 10.9	30	19x2,5	350	20325	37747	
RVP-DN20	60	16	95	47,5	19	57	22	30,5	2,2	8,5	13,5	9	6x M8x55 - 12.9	35	25x3	350	20326	37748	
RVP-DN25	76	15	120	60	20,6	79,5	28,5	37,5	2,2	10,5	16,5	11	6x M10x60 - 12.9	70	32x3	350	20327	37749	
RVP-DN30	92	15	143	71,5	23,8	95	35	43,5	2,2	13	19	13	6x M12x85 - 10.9	100	38x3	350	20328	37750	
RVP-DN40	111	16	133,5	67	25,5	89	47,5	57,5	2,2	13	19	13	6x M12x110 - 12.9	130	52x3	350	20329	37751	

<sup>(1)</sup> Fixing screws not included.

We recommend screws as per ISO4762 (DIN 912). The indicated property classes and torques represent our recommended guidelines at a friction coefficient of 14%.

 **Leakage rate of check valve**  
DIN EN 12266 – leakage rate C-D (test medium water)