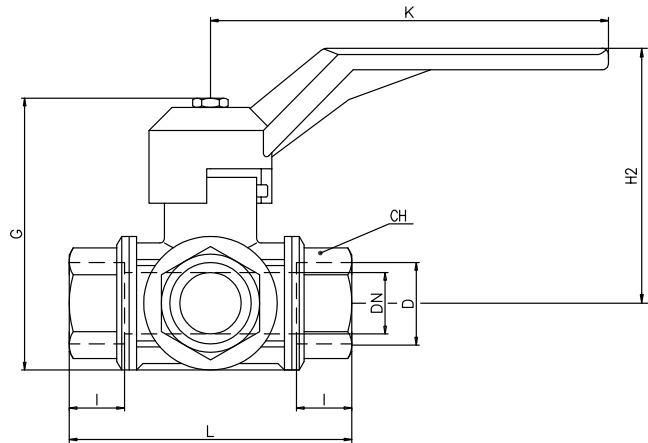


3-way low-pressure ball valve Brass

NK3



Multitway

| AVAILABLE SIZES | CONNECTIONS | MATERIAL CODE DESCRIPTION | | | | | | | | | | | | | | | | | | | | | | | | |
|-------------------------|---------------------------|---|-----------|------|------|------|-------|-------|------|-------|-------|------|-------|-------|------------|------|------|---------|------|------|-------------|---------------|---------------|-----------------|--------|--------|
| DN6 - DN50 (1/4" to 2") | DIN ISO 228 Female thread | <table border="1"> <thead> <tr> <th>Materials</th> <th>5574</th> <th>5574</th> </tr> </thead> <tbody> <tr> <td>Body</td> <td>Brass</td> <td>Brass</td> </tr> <tr> <td>Ball</td> <td>Brass</td> <td>Brass</td> </tr> <tr> <td>Stem</td> <td>Brass</td> <td>Brass</td> </tr> <tr> <td>Ball seats</td> <td>PTFE</td> <td>PTFE</td> </tr> <tr> <td>O-rings</td> <td>PTFE</td> <td>PTFE</td> </tr> <tr> <td>Tmin / Tmax</td> <td>-10°C / 120°C</td> <td>-10°C / 120°C</td> </tr> <tr> <td>Porting pattern</td> <td>L=SB50</td> <td>T=SB51</td> </tr> </tbody> </table> | Materials | 5574 | 5574 | Body | Brass | Brass | Ball | Brass | Brass | Stem | Brass | Brass | Ball seats | PTFE | PTFE | O-rings | PTFE | PTFE | Tmin / Tmax | -10°C / 120°C | -10°C / 120°C | Porting pattern | L=SB50 | T=SB51 |
| Materials | 5574 | 5574 | | | | | | | | | | | | | | | | | | | | | | | | |
| Body | Brass | Brass | | | | | | | | | | | | | | | | | | | | | | | | |
| Ball | Brass | Brass | | | | | | | | | | | | | | | | | | | | | | | | |
| Stem | Brass | Brass | | | | | | | | | | | | | | | | | | | | | | | | |
| Ball seats | PTFE | PTFE | | | | | | | | | | | | | | | | | | | | | | | | |
| O-rings | PTFE | PTFE | | | | | | | | | | | | | | | | | | | | | | | | |
| Tmin / Tmax | -10°C / 120°C | -10°C / 120°C | | | | | | | | | | | | | | | | | | | | | | | | |
| Porting pattern | L=SB50 | T=SB51 | | | | | | | | | | | | | | | | | | | | | | | | |

| GENERAL DIMENSIONS | | | | | | | | | | ORDER CODE PER MATERIAL COMBINATION | | | | |
|--------------------|----|----|-----|-----|-----|-----|----|-------|-------------|-------------------------------------|--------|----------|-------------|-------------|
| Type | LW | I | L | H | K | H2 | CH | Lever | Weight [Kg] | Type | d | PN [bar] | 5574 L=SB50 | 5574 T=SB51 |
| NK3-DN10/6 | 10 | 19 | 77 | 75 | 125 | 65 | 22 | Al | 0,71 | NK3-DN10/6-G1/4 | G1/4 | 55 | 58742 | 58734 |
| NK3-DN12/10 | 12 | 19 | 77 | 75 | 125 | 65 | 22 | Al | 0,67 | NK3-DN12/10-G3/8 | G3/8 | 55 | 58743 | 58735 |
| NK3-DN13 | 14 | 19 | 77 | 75 | 125 | 65 | 27 | Al | 0,65 | NK3-DN13-G1/2 | G1/2 | 50 | 58744 | 58736 |
| NK3-DN20 | 18 | 23 | 92 | 91 | 145 | 83 | 34 | Al | 1,09 | NK3-DN20-G3/4 | G3/4 | 50 | 58745 | 58737 |
| NK3-DN25 | 23 | 25 | 104 | 105 | 170 | 96 | 41 | Al | 1,66 | NK3-DN25-G1 | G1 | 45 | 58746 | 58738 |
| NK3-DN32 | 29 | 27 | 118 | 115 | 170 | 102 | 50 | Al | 2,22 | NK3-DN32-G1 1/4 | G1 1/4 | 35 | 58747 | 58739 |
| NK3-DN40 | 36 | 31 | 138 | 128 | 170 | 109 | 57 | Al | 3,30 | NK3-DN40-G1 1/2 | G1 1/2 | 35 | 58748 | 58740 |
| NK3-DN50 | 45 | 36 | 162 | 165 | 260 | 139 | 70 | Al | 5,40 | NK3-DN50-G2 | G2 | 35 | 58749 | 58741 |

PRESSURE/TEMPERATURE RELATION

Pressure/Temperature curve
NK3 CN10-50 brass

