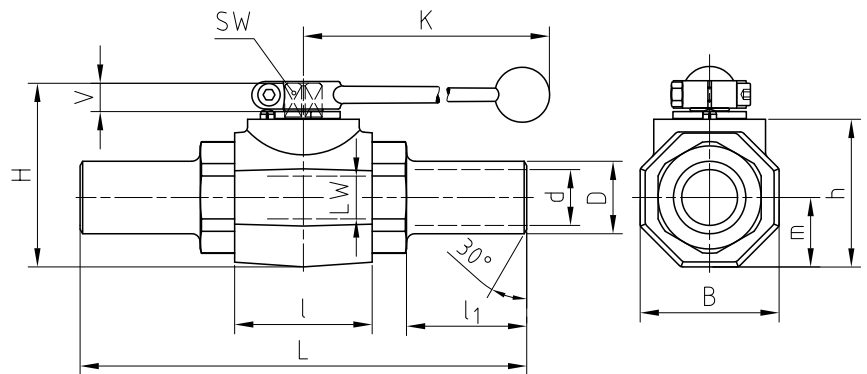


Ball valve with welding ends Steel

MKHP-AS



Two-way

AVAILABLE SIZES

DN32 - DN50 (1 1/4" to 2")

CONNECTIONS

AS160; other pipe dimensions and higher pressure ratings on request. PN max 420 bar.

ACCESSORIES ON REQUEST

- Locking devices page 222 - 225
- Actuators 220 - 221
- Mounting holes 24
- Position switches 228 - 229
- Combinations 188 - 189
- Detent on request

MATERIAL CODE DESCRIPTION

Materials	112A	1128
Body	Steel	Steel
Ball	Steel	Steel
Stem	Steel	Steel
Ball seats	POM	POM
O-rings	NBR	FPM
Tmin /Tmax	-20°C / 100°C	-20°C / 100°C

GENERAL DIMENSIONS

Type	LW	L	I	B 8Kt	H	h	m	V	SW	K	d	D	l ₁	Lever	Weight [Kg]
MKHP-DN32	32	260	80	81	107	86	40,5	16,5	17	320	32,5	42,2	70	Al	4,22
MKHP-DN32/40	32	260	80	81	107	86	40,5	16,5	17	320	38	51	70	Al	4,42
MKHP-DN40	38	270	85	100	124	103	50	16,5	17	320	39,3	48,3	72	Al	6,29
MKHP-DN40/50	38	270	85	100	124	103	50	16,5	17	320	50	60,3	72	Al	6,59
MKHP-DN50	48	300	100	118	138	117	59	16,5	17	320	50	60,3	72	Al	10,89
MKHP-DN50/65	48	300	100	118	138	117	59	16,5	17	320	63	76,1	72	Al	11,00

ORDER CODE PER MATERIAL COMBINATION

Type	PN	112A	1128
MKHP-DN32-AS160	160	02524	34168
MKHP-DN32/40-AS160	160	02525	38433
MKHP-DN40-AS160	160	02528	24356
MKHP-DN40/50-AS160	160	02530	38429
MKHP-DN50-AS160	160	02531	29151
MKHP-DN50/65-AS160	160	02532	38439