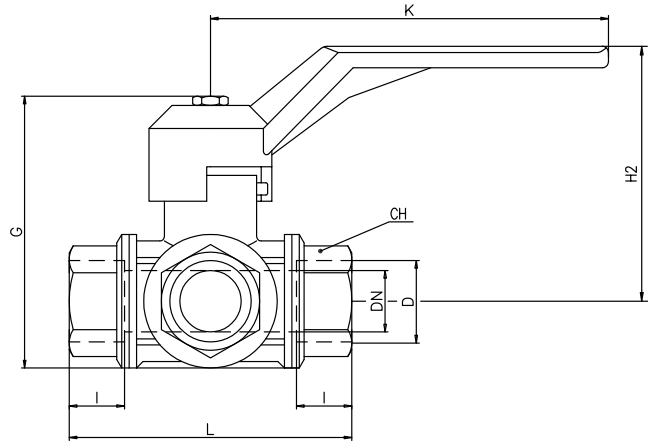


3-way low-pressure ball valve Brass

NK3



Multway

AVAILABLE SIZES

DN6 - DN50 (1/4" to 2")

CONNECTIONS

DIN ISO 228 Female thread

MATERIAL CODE DESCRIPTION

| Materials | 5574 | 5574 |
|-----------------|---------------|---------------|
| Body | Brass | Brass |
| Ball | Brass | Brass |
| Stem | Brass | Brass |
| Ball seats | PTFE | PTFE |
| O-rings | PTFE | PTFE |
| Tmin / Tmax | -10°C / 120°C | -10°C / 120°C |
| Porting pattern | L=SB50 | T=SB51 |

GENERAL DIMENSIONS

| Type | LW | I | L | H | K | H2 | CH | Lever | Weight [Kg] |
|-------------|----|----|-----|-----|-----|-----|----|-------|-------------|
| NK3-DN10/6 | 10 | 19 | 77 | 75 | 125 | 65 | 22 | Al | 0,71 |
| NK3-DN12/10 | 12 | 19 | 77 | 75 | 125 | 65 | 22 | Al | 0,67 |
| NK3-DN13 | 14 | 19 | 77 | 75 | 125 | 65 | 27 | Al | 0,65 |
| NK3-DN20 | 18 | 23 | 92 | 91 | 145 | 83 | 34 | Al | 1,09 |
| NK3-DN25 | 23 | 25 | 104 | 105 | 170 | 96 | 41 | Al | 1,66 |
| NK3-DN32 | 29 | 27 | 118 | 115 | 170 | 102 | 50 | Al | 2,22 |
| NK3-DN40 | 36 | 31 | 138 | 128 | 170 | 109 | 57 | Al | 3,30 |
| NK3-DN50 | 45 | 36 | 162 | 165 | 260 | 139 | 70 | Al | 5,40 |

ORDER CODE PER MATERIAL COMBINATION

| Type | d | PN [bar] | 5574 L=SB50 | 5574 T=SB51 |
|------------------|--------|----------|-------------|-------------|
| NK3-DN10/6-G1/4 | G1/4 | 55 | 58742 | 58734 |
| NK3-DN12/10-G3/8 | G3/8 | 55 | 58743 | 58735 |
| NK3-DN13-G1/2 | G1/2 | 50 | 58744 | 58736 |
| NK3-DN20-G3/4 | G3/4 | 50 | 58745 | 58737 |
| NK3-DN25-G1 | G1 | 45 | 58746 | 58738 |
| NK3-DN32-G1 1/4 | G1 1/4 | 35 | 58747 | 58739 |
| NK3-DN40-G1 1/2 | G1 1/2 | 35 | 58748 | 58740 |
| NK3-DN50-G2 | G2 | 35 | 58749 | 58741 |

PRESSURE/TEMPERATURE RELATION

Pressure/Temperature curve
NK3 DN10-50 brass

