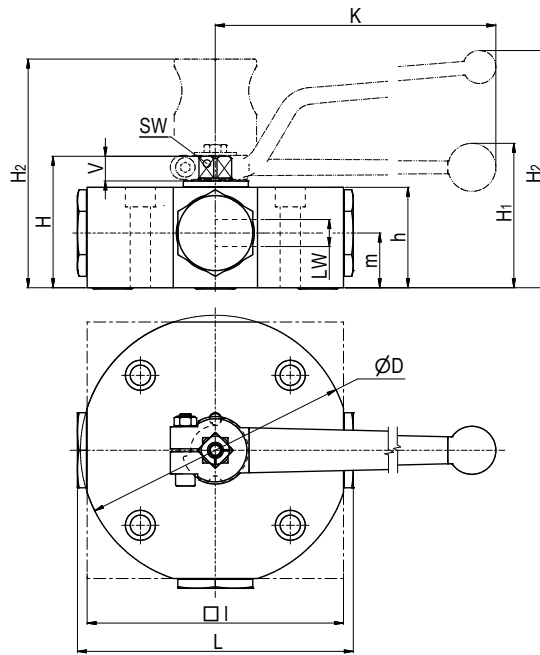


# Multiway ball valve for manifold mounting Steel

## MPKH3



### AVAILABLE SIZES

DN6 - DN40 (1/4" to 1 1/2")

### ACCESSORIES ON REQUEST

- Locking devices on request
- Actuators page 220 - 221
- Position switches on request

### MATERIAL CODE DESCRIPTION

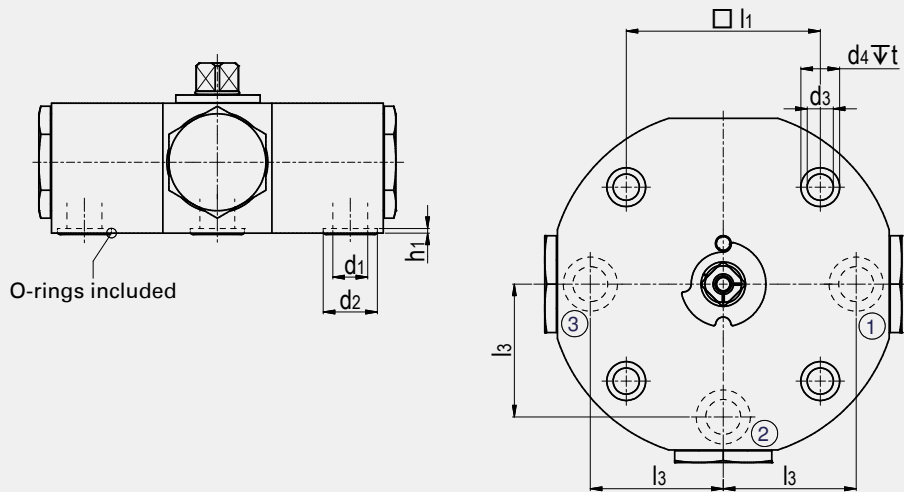
Materials	112A	112A	1128	1128
Body	Steel	Steel	Steel	Steel
Trunnion ball	Steel	Steel	Steel	Steel
Ball seats	POM	POM	POM	POM
O-rings	NBR	NBR	FPM	FPM
Tmin /Tmax	-20°C / 100°C	-20°C / 100°C	-20°C / 100°C	-20°C / 100°C
Porting pattern	L=SB01	T=SB02	L=SB01	T=SB02

### GENERAL DIMENSIONS

Type	LW <sub>LT</sub>	I	L	D	H	h	m	V	SW	K	H <sub>1</sub>	H <sub>2</sub>	Lever	Weight [Kg]
MPKH3-DN6	5	90	102	-	58	40	22	13	12	160	-	101	Al	2,50
MPKH3-DN10	8	100	111	-	68	50	27	14	14	200	72	-	Zn	3,80
MPKH3-DN13	13	140	154	150	78	60	31	14	14	200	82	-	Zn	7,50
MPKH3-DN20	18	171	184	180	88	67	36,5	16,5	17	320	97	-	Al	12,50
MPKH3-DN25	23	205	225	215	96	75	40,5	16,5	17	320	106	-	Al	18,80
MPKH3-DN32	32	260	288	275	147	115	62	26	22	600	-	193	St <sup>(1)</sup>	49,60
MPKH3-DN40	38	301	332	315	156	125	65	25	22	600	-	204	St <sup>(1)</sup>	60,00

<sup>(1)</sup> Lever must be fixed centrally during operation. In case of vibration the handle may otherwise operate the valve by itself.

### CONNECTION

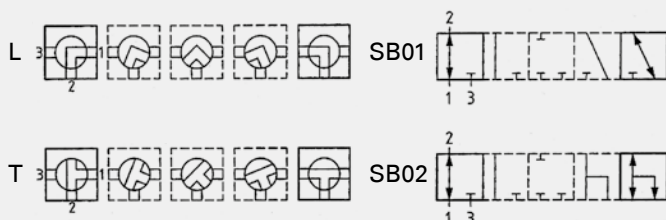


### CONNECTION DIMENSIONS

Type	l <sub>1</sub>	l <sub>3</sub>	d <sub>1</sub>	d <sub>2</sub>	h <sub>1</sub>	O-ring	d <sub>3</sub>	d <sub>4</sub>	t	Dimension of screws (min)	Torque of screws in Nm	ORDER CODE PER MATERIAL COMBINATION				
												PN [bar]	112A L=SB01	112A T=SB02	1128 L=SB01	1128 T=SB02
MPKH3-DN6	70	34,3	6	14	2	9x2,5	11	18	11	4 x M10 - 10.9	60	400	02342	31340	38458	38460
MPKH3-DN10	80	40,5	8	14,3	2	9,5x2,5	11	18	11	4 x M10 - 10.9	60	315	20302	20799	38459	38461
MPKH3-DN13	90	57,7	13	19,8	2	15x2,5	13,5	20	13	4 x M12 - 10.9	100	315	18160	38453	19044	38462
MPKH3-DN20	100	68,5	18	27,9	2,3	22x3	13,5	20	13	4 x M12 - 12.9	110	250	20305	38454	19045	38463
MPKH3-DN25	115	81	23	31,9	2,3	26x3	18	26	18	4 x M16 - 12.9	300	250	20307	38455	19048	38464
MPKH3-DN32	148,5	90	32	39,9	2,3	34x3	22	33	21,5	4 x M20 - 12.9	600	250	12632	38456	19049	38465
MPKH3-DN40	155,5	103	38	55,9	2,3	50x3	26	40	25,5	4 x M24 - 12.9	1000	250	12633	38457	19076	38466

Due to material availability the material code of the steel valves may vary from 112A (or 1128). DN13-40=812A (or 8128). Material suitability for the application does not differ from 112A (or 1128).

### PORTING PATTERNS



Further porting patterns page 262 to 267

### FLOW CHARACTERISTICS MPKH-L

