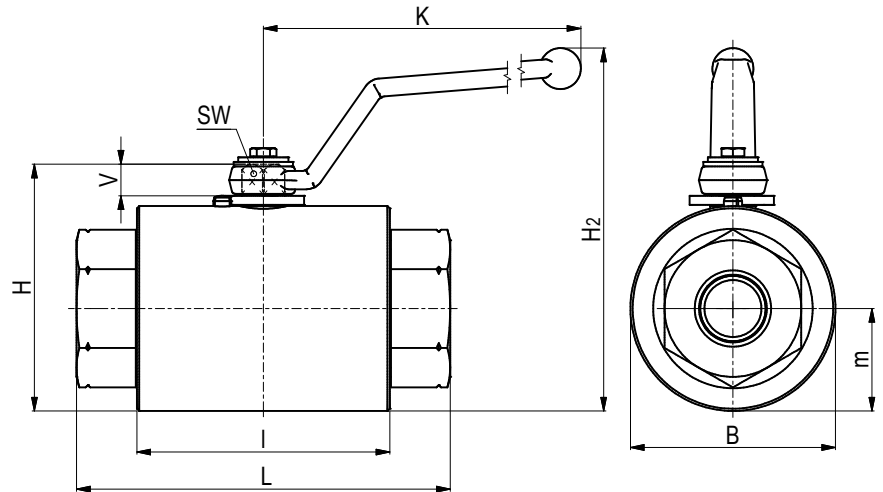


Highest-pressure ball valve Stainless Steel

MKHP800



AVAILABLE SIZES

DN4 - DN25 (1/8" to 1")

CONNECTIONS

DIN 2353/ISO 8434-1 Heavy series, ANSI B1.20.1 NPT Female thread, others on request

ACCESSORIES ON REQUEST

- Locking devices page 230 - 233
- Actuators 228 - 229
- Position switches on request
- Combinations on request

MATERIAL CODE DESCRIPTION

Materials	44bA	44b8
Body	Stainless Steel	Stainless Steel
Ball	Stainless Steel	Stainless Steel
Stem	Stainless Steel	Stainless Steel
Ball seats	POM	POM
O-rings	NBR	FPM
Tmin /Tmax	-30°C / 100°C	-20°C / 100°C

GENERAL DIMENSIONS

Type	L	B	H	m	V	SW	K	H ₂	Lever
MKHP800-DN4	76	50	64	25	11	9	115	101	St
MKHP800-DN6	76	50	64	25	11	9	115	101	St
MKHP800-DN8	76	50	64	25	11	9	115	101	St
MKHP800-DN10	76	50	64	25	11	9	115	101	St
MKHP800-DN13	76	50	64	25	11	9	115	101	St
MKHP800-DN20	111	90	108	45	14	14	171	159	St
MKHP800-DN25	111	90	108	45	14	14	171	159	St

Application-specific

Highest-pressure ball valve Stainless Steel

MKHP800



CONNECTION TYPE	DIMENSIONS							ORDER CODE PER MATERIAL COMBINATION		
DIN 2353/ISO 8434-1 HEAVY SERIES	Type	LW	RA	L	i	d	Weight [Kg]	PN [bar]	44bA	44b8
	MKHP800-DN4-8S	5	8	110	7	M 16x1,5	1,23	800	59626	59627
	MKHP800-DN6-10S	6	10	114	7,5	M 18x1,5	1,34	800	59628	59629
	MKHP800-DN8-12S	8	12	114	7,5	M 20x1,5	1,35	800	59630	59631
	MKHP800-DN10-14S	13	14	114	8	M 22x1,5	1,28	800	59632	59633
	MKHP800-DN13-16S	13	16	114	8,5	M 24x1,5	1,27	800	59634	59636
	MKHP800-DN13-20S	13	20	118	10,5	M 30x2	1,30	800	59635	59637
	MKHP800-DN20-25S	20	25	162	12	M 36x2	5,80	800	59638	59639
	MKHP800-DN25-30S	25	30	166	13,5	M 42x2	5,80	800	59640	59641

ANSI B1.20.1 NPT FEMALE THREAD	Type	LW	L	i	d	Weight [Kg]	PN [bar]	44bA	44b8
	MKHP800-DN6-1/4"NPT	6	130	13,7	1/4" NPT	1,71	800	42144	59643
	MKHP800-DN10-3/8"NPT	13	130	13,5	3/8" NPT	1,55	800	59644	59645
	MKHP800-DN13-1/2"NPT	13	130	17	1/2" NPT	1,48	800	42143	59647
	MKHP800-DN20-3/4"NPT	20	161	18,3	3/4" NPT	6,42	800	54714	59649
	MKHP800-DN25-1"NPT	25	164	21,6	1" NPT	6,40	800	28804	59650

Application-specific

Please note the pressure ratings of the tube connections!