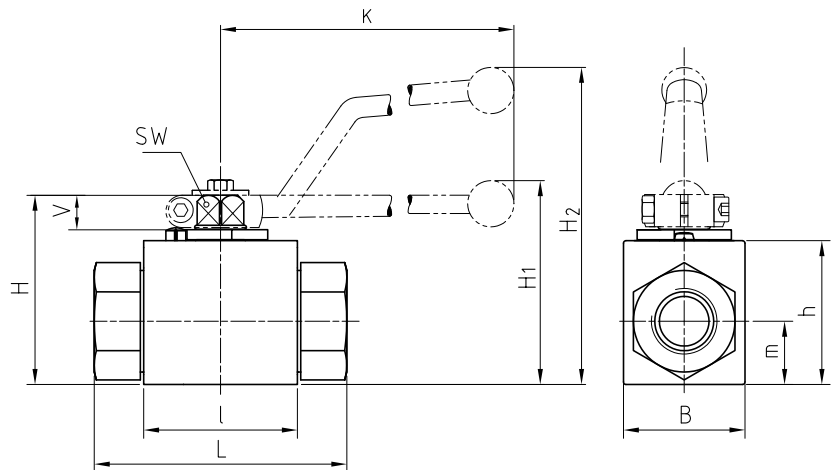
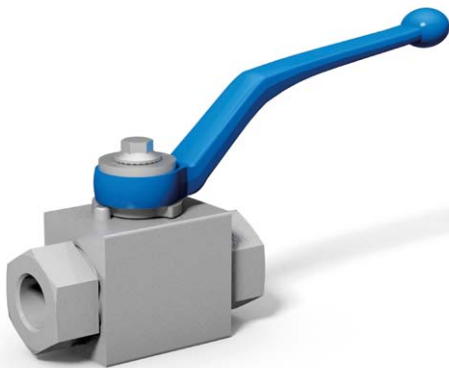


Ball valve for paints and lacquers Stainless Steel

BKH



AVAILABLE SIZES

DN4 - DN25 (1/8" to 1")

CONNECTIONS

DIN ISO 228 Female thread, ANSI B1.20.1 NPT Female thread, DIN 2353/ISO 8434-1 Light / Heavy series, SAE J 514/ISO/DIS11926-1 Female thread, others on request

ACCESSORIES ON REQUEST

- Locking devices page 222 - 225
- Actuators 220 - 221
- Mounting holes 21
- Position switches 228 - 229
- Combinations 184 - 186
- Detent on request

MATERIAL CODE DESCRIPTION

Materials	44H8	44F8	4478
Body	Stainless Steel	Stainless Steel	Stainless Steel
Ball	Stainless Steel	Stainless Steel	Stainless Steel
Stem	Stainless Steel	Stainless Steel	Stainless Steel
Ball seats	POM	Stainless Steel	PTFE Teflon ⁽¹⁾
O-rings	FPM	FPM	FPM
Tmin / Tmax	-20°C / 100°C	-20°C / 100°C	-20°C / 200°C

GENERAL DIMENSIONS

Type	l	B	H	h	m	V	SW	K	H ₁	H ₂	Lever
BKH-DN4	40	26	47	33	13,5	11	9	115	-	82	Zn
BKH-DN6	40	26	47	33	13,5	11	9	115	-	82	Zn
BKH-DN8	40	26	47	33	13,5	11	9	115	-	82	Zn
BKH-DN10	43	32	52	38	17,5	11	9	115	-	86	Zn
BKH-DN13	48	35	54	40	19	11	9	115	-	89	Zn
BKH-DN16	48	38	63	46	19	13	12	160	-	106	Al
BKH-DN20	62	49	75	57	24,5	14	14	200	79	-	Zn
BKH-DN25	66	58	83	65	29,5	14	14	200	87	-	Zn
BKH-DN25/32	66	58	83	65	29,5	14	14	200	87	-	Zn
BKH-DN25/40	66	58	83	65	29,5	14	14	200	87	-	Zn

⁽¹⁾ Please consider pressure reduction at higher temperatures (see technical annex page 255)

Application-specific

Ball valve for paints and lacquers Stainless Steel

BKH



CONNECTION TYPE	DIMENSIONS						ORDER CODE PER MATERIAL COMBINATION						
	DIN ISO 228 FEMALE THREAD	Type	LW	L	i	d	Weight [Kg]	PN [bar]	44H8	44F8	PN [bar]	4478	
	BKH-DN4-G1/8	5	69	10	G1/8	0,41	500	40088*	40106	315	32447*		
	BKH-DN6-G1/4	6	69	14	G1/4	0,40	500	40089*	40107	315	30667*		
	BKH-DN10-G3/8	10	72	14	G3/8	0,54	500	40090*	40108	315	40098*		
	BKH-DN13-G1/2	13	83	16,3	G1/2	0,65	500	32184*	34400	250	30783*		
	BKH-DN16-G5/8	15	83	16	G5/8	0,70	400	40093*	40111	175	40101*		
	BKH-DN20-G3/4	20	95	18	G3/4	1,50	350	40094*	40112	175	40102*		
	BKH-DN25-G1	25	113	20	G1	2,20	350	40095*	40113	175	40103*		
	BKH-DN25/32-G1 1/4	25	120	22	G1 1/4	2,30	350	40096*	40114	175	40104*		
	BKH-DN25/40-G1 1/2	25	130	24	G1 1/2	2,60	350	40097*	40115	175	40105*		
	ANSI B1.20.1 NPT FEMALE THREAD	Type	LW	L	i	d	Weight [Kg]	PN [bar]	44H8	44F8	PN [bar]	4478	
	BKH-DN4-1/8"NPT	5	69	10,5	1/8"NPT	0,30	500	40116*	40126	315	40121*		
	BKH-DN6-1/4"NPT	6	69	13,7	1/4"NPT	0,40	500	40117*	40127	315	34359*		
	BKH-DN10-3/8"NPT	10	72	13,5	3/8"NPT	0,55	500	32454*	40128	315	40122*		
	BKH-DN13-1/2"NPT	13	83	17	1/2"NPT	0,75	500	32453*	40129	250	34360*		
	BKH-DN20-3/4"NPT	20	95	18,3	3/4"NPT	1,63	350	40118*	40130	175	33958*		
	BKH-DN25-1"NPT	25	113	21,6	1"NPT	2,30	350	32455*	40131	175	40123*		
	BKH-DN25/32-1 1/4"NPT	25	120	22,1	1 1/4"NPT	2,51	350	40119*	40132	175	40124*		
	BKH-DN25/40-1 1/2"NPT	25	130	22,1	1 1/2"NPT	2,70	250	40120*	40133	175	40125*		
	DIN 2353 / ISO 8434-1 LIGHT SERIES	Type	LW	RA	L	i	d	Weight [Kg]	PN [bar]	44H8	44F8	PN [bar]	4478
	BKH-DN4-6L	5	6	67	7	M 12x1,5	0,36	500	40026*	40048	315	40038*	
	BKH-DN6-8L	6	8	67	7	M 14x1,5	0,37	500	40027*	40049	315	40039*	
	BKH-DN8-10L	8	10	74	7	M 16x1,5	0,38	500	40028*	40050	315	35926*	
	BKH-DN10-12L	10	12	74	7	M 18x1,5	0,50	500	40029*	40051	315	40040*	
	BKH-DN13-15L	13	15	82	7	M 22x1,5	0,61	500	40030*	40052	250	40041*	
	BKH-DN13-18L	13	18	82	7,5	M 26x1,5	0,60	500	40032*	40054	250	40043*	
	BKH-DN16-18L	15	18	82	7,5	M 26x1,5	0,75	400	40033*	40055	175	35925*	
	BKH-DN20-22L	20	22	101	7,5	M 30x2	1,49	350	40034*	40056	175	40044*	
	BKH-DN25-28L	25	28	108	7,5	M 36x2	2,00	350	40035*	40057	175	40045*	
	BKH-DN25/32-35L	25	35	112	10,5	M 45x2	2,12	350	40036*	40058	175	40046*	
	BKH-DN25/40-42L	25	42	112	11	M 52x2	2,27	350	40037*	40059	175	40047*	

Application-specific

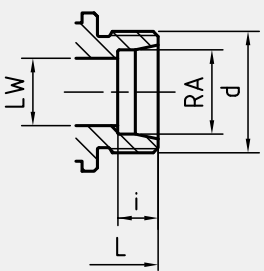
Please note the pressure ratings of the tube connections!

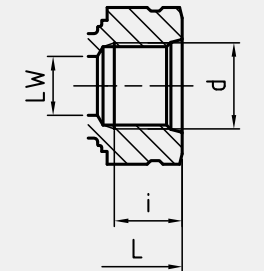
*Article usually in stock.

Ball valve for paints and lacquers Stainless Steel

BKH



CONNECTION TYPE	DIMENSIONS							ORDER CODE PER MATERIAL COMBINATION				
	Type	LW	RA	L	i	d	Weight [Kg]	PN [bar]	44H8	44F8	PN [bar]	4478
DIN 2353 / ISO 8434-1 HEAVY SERIES 	BKH-DN4-8S	5	8	73	7	M 16x1,5	0,38	500	40060*	40078	315	40068*
	BKH-DN6-10S	6	10	73	7,5	M 18x1,5	0,39	500	28982*	40079	315	40069*
	BKH-DN8-12S	8	12	76	7,5	M 20x1,5	0,39	500	40061*	40080	315	31258*
	BKH-DN10-14S	10	14	80	8	M 22x1,5	0,50	500	40062*	40081	315	40070*
	BKH-DN13-16S	13	16	86	8,5	M 24x1,5	0,60	500	29056*	31643	250	40071*
	BKH-DN13-20S	13	20	90	10,5	M 30x2	0,60	500	40064*	40083	250	40073*
	BKH-DN16-20S	15	20	90	10,5	M 30x2	0,80	400	33361*	40084	175	40074*
	BKH-DN20-25S	20	25	109	12	M 36x2	1,55	350	40065*	40085	175	40075*
	BKH-DN25-30S	25	30	120	13,5	M 42x2	2,10	350	40066*	40086	175	40076*
	BKH-DN25/32-38S	25	38	124	16	M 52x2	2,30	350	40067*	40087	175	40077*

CONNECTION TYPE	DIMENSIONS						ORDER CODE PER MATERIAL COMBINATION				
	Type	LW	L	i	d	Weight [Kg]	PN [bar]	44H8	44F8	PN [bar]	4478
SAE J514/ISO/DIS11926-1 FEMALE THREAD 	BKH-DN6-7/16"UNF	5	69	12	7/16"-20 UNF	0,39	500	40134*	40144	315	40139*
	BKH-DN10-9/16"UNF	10	72	13	9/16"-18 UNF	0,54	500	40135*	40145	315	40140*
	BKH-DN13-3/4"UNF	13	83	15	3/4"-16 UNF	0,82	500	40136*	40146	250	40141*
	BKH-DN20-1 1/16"UN	20	95	20	1 1/16"-12 UN	1,57	350	40137*	40147	175	40142*
	BKH-DN25-1 5/16"UN	25	113	20	1 5/16"-12 UN	2,30	350	40138*	40148	175	40143*

Please note the pressure ratings of the tube connections!

*Article usually in stock.