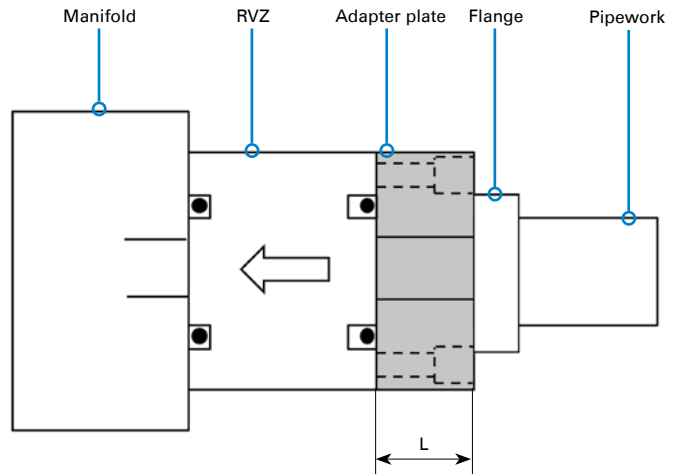


RVZ double flange pattern adapter plate Steel / Stainless Steel

RVZ-SAE



MATERIAL CODE DESCRIPTION

Materials	1	4
Body	Steel	Stainless Steel (on request)

The adapter plate expands the functional range of the RVZ with additional threaded connections. Through that it is (for example) possible to remove a connected pipe from the RVZ without removing the RVZ from the manifold it is attached to.

DIMENSIONS ISO 6162-1/SAE210

Connection	DN	L	PN (bar)	ORDER CODE PER MATERIAL	
				1	4
SAE210	15	23	210	03057850	on request
SAE210	20	29	210	03055443	on request
SAE210	25	29	210	03055444	03059469
SAE210	32	33	210	03055445	on request
SAE210	40	33	210	03055446	on request
SAE210	50	33	210	03055447	03067103

DIMENSIONS ISO 6162-2/SAE420

Connection	DN	L	PN (bar)	ORDER CODE PER MATERIAL	
				1	4
SAE420	15	on request	420	on request	on request
SAE420	20	29	420	on request	03068767
SAE420	25	on request	420	on request	on request
SAE420	32	on request	420	on request	on request
SAE420	40	39	420	03057860	on request
SAE420	50	49	420	03064160	on request

FLOW CHARACTERISTICS

