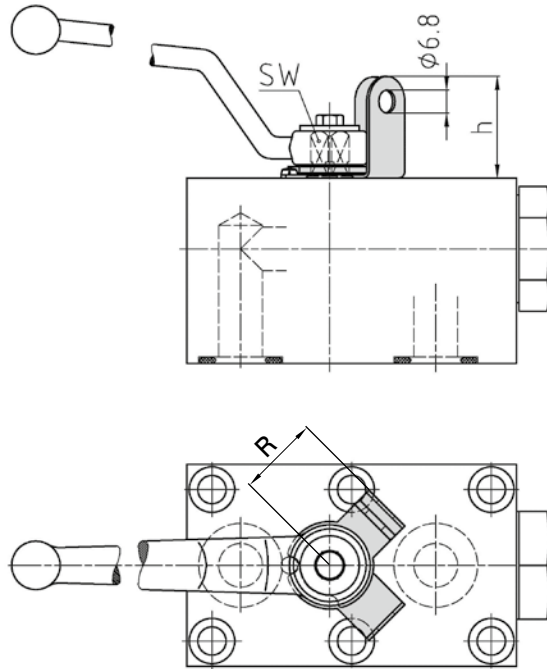


Locking device type 4 Stainless steel



- Universal locking device
- Only suitable as retrofit for ball valves with bent lever
- Economical solution
- Can be dismantled after disassembly of lever
- Bent lever is not part of delivery
- Not rotatable - this option is available on request only

DIMENSIONS			ORDER CODE PER MATERIAL	
SW	h	R	Stainless Steel	
7	24	16	052 40570	
9	28	24	052 36682	
12	34,5	31,5	052 52896	
14	34,5	31,5	052 36683	
17	44	35,5	052 36684	

ORDER EXAMPLE

Mounting set consisting of locking plate, stopping disk and ring:

order text	article no.
Locking device type 4 for ball valve DN 10-13	052 36682

Assembled with ball valves:

ball valve type (ball valve design: see data sheets)	article no.	description
PKH - DN13 - 112A	29571	with locking device type 4

MOUNTING SETS ARE VALID FOR

Type	BKH / BKHP500	MKHP420 Steel	MKHP-SAEFS	MKHP-SAE	KHZ-SAE	BK3 / BK3-S	3KH	4KH	PKH	PK3	MPKH3/4
Page	16 - 23	24 - 26	44 - 47 60 - 63	52 - 55	70 - 73	94 - 104	110 - 116	118 - 124	126 - 129	130 - 133	138 - 141