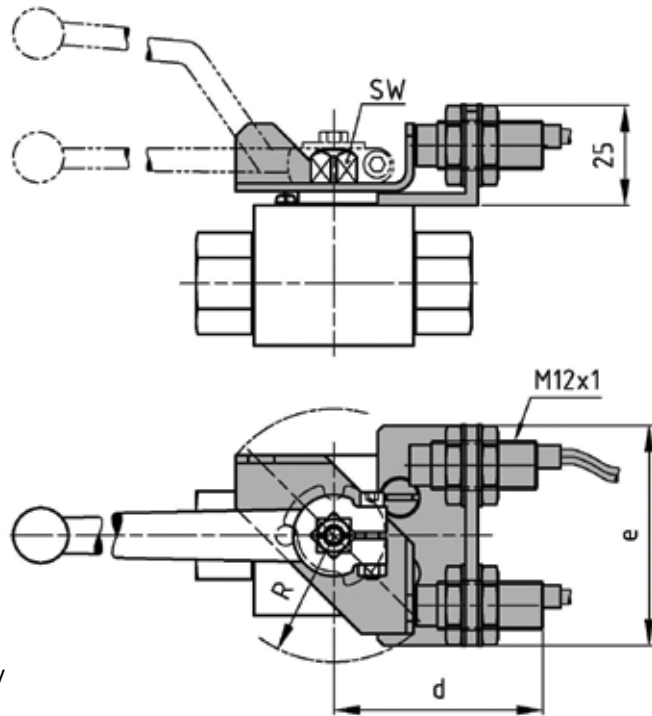


Assembling set with inductive proximity switches



Proximity switch properties

- Body material: brass, nickel-plated
- Active surface material: PA 6.6
- Mounting: non-flush
- Proximity sensor as per NAMUR (DIN EN 60947-5-6)
- Rated operation distance: 4mm
(switching point 1,5 mA @ $U_n = 8\text{ V}$ and $R_i = 1\text{ k}\Omega$)
- Protection type: IP67
- Rated voltage: DC 8 V / Rated operational voltage: DC 5 ... 25 V
- Ambient air temp.: $-25^\circ\text{C} / +70^\circ\text{C}$

DIMENSIONS					↗	ORDER CODE PER MATERIAL	
DN	SW	d	e	R		Steel	
4-8	9	54	55	32		048 21921	
10	9	54	55	32		048 21922	
13	9	54	55	32		048 21923	
16	12	60	68	40		048 21924	
20	14	58	64	37,5		048 21925	
25	14	58	64	37,5		048 21926	
32-50	17	66	80	49		048 21927	

ORDER EXAMPLE

Mounting set consisting of switch cam, shackle with screws and limit switch(es):

order text

article no.

Proximity switch assembling set for ball valve DN 4-8

048 21921

Assembled with ball valves:

ball valve type
(ball valve design: see data sheets)

article no.

description

BKH - DN13 - G1/2 - 112A

- 17253

- with proximity switch assembling set

MOUNTING SETS ARE VALID FOR

Type	BKH / BKHP 420	BKH-AS	MKHP420	MKHP-AS	BK3 / BK3-S
Page	16 - 23	36	24 - 30	37	94 - 104