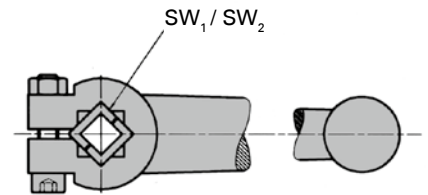
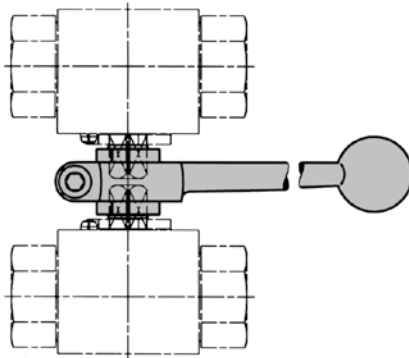
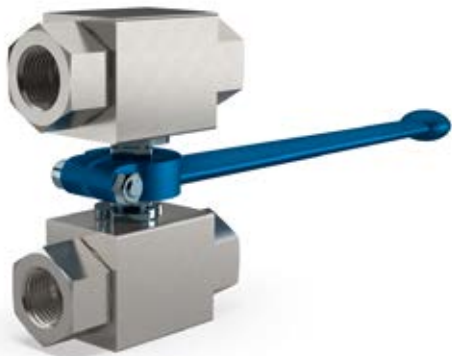


Assembling sets for ball valve combinations

Steel / Stainless Steel



MATERIAL CODE DESCRIPTION



SW₁: Wrench size of stem
SW₂: Wrench size of lever

| Materials | 1 | 4 |
|-----------------|-------|-----------------|
| Square coupling | Steel | Stainless Steel |

DIMENSIONS



ORDER CODE PER MATERIAL

| Type | SW ₁ | SW ₂ | Lever |
|---------|-----------------|-----------------|-------|
| SW9/14 | 9 | 14 | Zn |
| SW12/17 | 12 | 17 | Al |
| SW14/17 | 14 | 17 | Al |
| SW17/19 | 17 | 19 | Al |

| 1 | 4 |
|------------|------------|
| 032 39250* | 032 39251* |
| 032 39252* | 032 39253* |
| 032 39254* | 032 39255* |
| 032 39256* | 032 39257* |

*Article usually in stock.

ORDER EXAMPLE

Mounting set consisting of lever and square coupling:

| order text | article no. |
|---|-------------|
| Assembling set for ball valve combination SW 9/14-Steel | 032 39250 |

Assembled with ball valves:

| ball valve type (ball valve design: see data sheets) | article no. | description |
|---|-------------|--|
| BKH - DN13 - G1/2 - 112A | 17253 | with assembling set for ball valve combination |

MOUNTING SETS ARE VALID FOR

| Type | BKH / BKHP500 | MKHP420 | BKH-AS | MKHP-AS | BK3 / BK3-S | BKH / BKHP-SAEFS | MKHP-SAEFS | BKH / BKHP-SAE | MKHP-SAE | BKH-DIN | MKHP-DIN |
|------|---------------|---------|--------|---------|-------------|------------------|------------|----------------|----------|---------|----------|
| Page | 16 - 23 | 24 - 30 | 36 | 37 | 94 - 104 | 40 - 43 | 44 - 47 | 48 - 51 | 52 - 55 | 88 - 89 | 90 - 91 |

Accessories