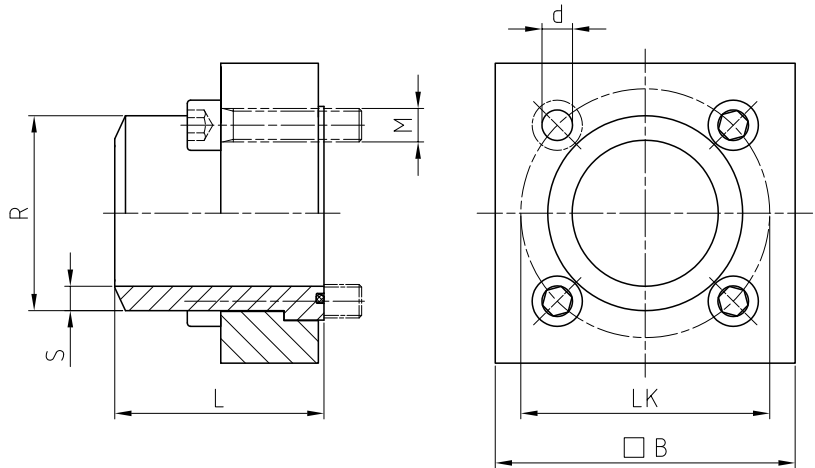
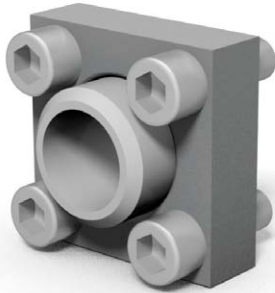


Connection flanges ISO6164 - metric



ISO 6164-1

DN	Tube dimensions ⁽¹⁾ RxS	LK	d	L	B	Screws ⁽¹⁾ Property class 8,8	Pressure ⁽²⁾ [bar]	Weight [kg]
13	21,6x4,3	42	9	50	45	M8x35	350	0,22
19	27,2x4,1	50	9	60	50	M8x35	350	0,32
25	34,5x4,75	62	11	70	65	M10x40	315	0,63
32	43,0x6,0	73	13,5	80	75	M12x50	250	0,92
38	48,6x5,3	85	17,5	90	90	M16x60	250	1,34
51	61,0x5,5	98	17,5	100	100	M16x70	250	2,30
56	76,6x6,8	118	22	110	120	M20x80	250	4,00
63	89,0x9,5	145	22	120	140	M20x90	250	6,03

ISO 6164-2

DN	Tube dimensions ⁽¹⁾ RxS	LK	d	L	B	Screws ⁽¹⁾ Property class 8,8	Pressure ⁽²⁾ [bar]	Weight [kg]
13	21,6x4,3	42	9	50	45	M8x35	400	0,31
19	27,2x4,6	50	9	60	50	M8x35	400	0,45
25	34,5x6,25	62	11	70	65	M10x40	400	0,83
32	43,0x7,5	73	13,5	90	75	M12x50	400	1,19
38	48,6x8,3	85	17,5	90	90	M16x60	400	1,80
51	61,0x10,0	98	17,5	100	100	M16x70	400	3,08
56	76,6x13,3	118	22	110	120	M20x80	400	5,14
63	89,0x15,5	145	26	120	150	M24x90	400	7,34
70	102,0x19,5	160	26	130	160	M24x100	315	8,09
80	114,0x20,0	175	33	140	180	M30x120	315	12,75

⁽¹⁾ UNC screws on request.

⁽²⁾ The max. recommended working pressure is based on the flange. The working pressure of the system is determined by the thickness and the material of the tube.