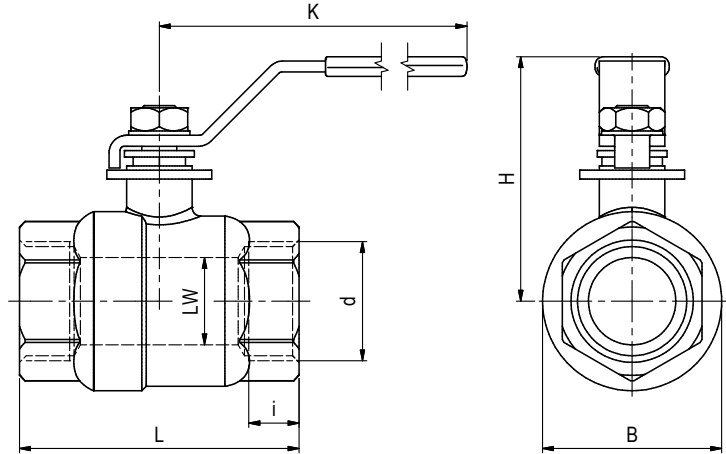


# 2-way low-pressure ball valve Stainless Steel

# NKH

Two-way



## AVAILABLE SIZES

DN6 - DN100 (1/4" to 4")

## MATERIAL CODE DESCRIPTION

Materials	4474
Body	CF8M (Stainless Steel)
Ball	Stainless Steel
Stem	Stainless Steel
Ball seats	PTFE
O-rings	PTFE
Tmin /Tmax	-30°C / 200°C

## ACCESSORIES ON REQUEST

• Locking Device included

## CONNECTIONS

DIN ISO 228 Female thread

## GENERAL DIMENSIONS

Type	LW	L	B	h	K	i	Lever	Weight [Kg]
NKH-DN8/6	10	50	29	45	100	12	SS	0,21
NKH-DN13/10	12,5	50	29	45	100	11	SS	0,21
NKH-DN15	15	59	34	50	100	13	SS	0,28
NKH-DN20	20	69	40,5	52	103	15,5	SS	0,40
NKH-DN25	25	79	49,2	70	150	15,5	SS	0,72
NKH-DN32	32	94	60,5	75	150	19,5	SS	1,57
NKH-DN40	38	103	71,3	85	183	21	SS	2,15
NKH-DN50	50	123	90,2	94	183	23	SS	2,78
NKH-DN65	65	160	116,5	135	243	29	SS	5,80
NKH-DN80	80	180	138	145	243	29	SS	8,80
NKH-DN100	100	230	170,5	165	328	29	SS	17,20

## ORDER CODE PER MATERIAL COMBINATION

Type	PN [bar]	4474
NKH-DN8/6-G1/4	63	58723
NKH-DN13/10-G3/8	63	58724
NKH-DN15-G1/2	63	58725
NKH-DN20-G3/4	63	58726
NKH-DN25-G1	63	58727
NKH-DN32-G1 1/4	63	58728
NKH-DN40-G1 1/2	63	58729
NKH-DN50-G2	63	58730
NKH-DN65-G2 1/2	63	58731
NKH-DN80-G3	63	58732
NKH-DN100-G4	63	58733

## PRESSURE/TEMPERATURE RELATION

Pressure/Temperature curve  
NKH Stainless Steel

