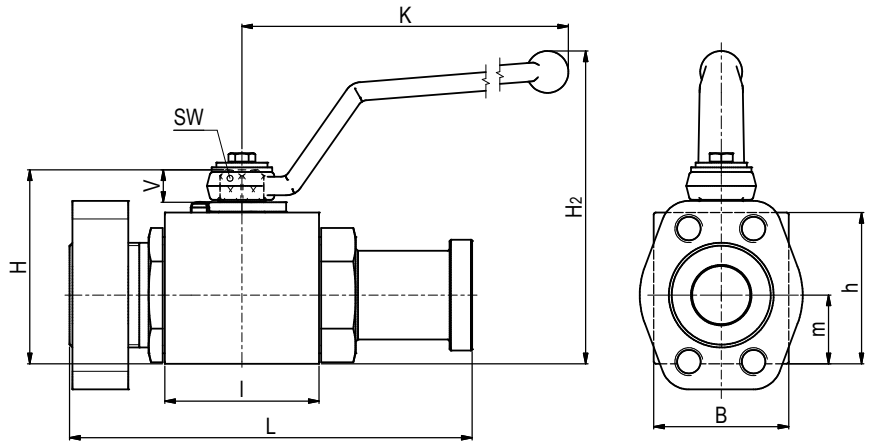


Ball valve with SAE adapter / split flange adapter Steel

BKH/BKHP-SAE/SAEFS

Two-way



AVAILABLE SIZES

DN13 - DN25 (1/2" to 1")

CONNECTIONS

ISO 6162-1, ISO 6162-2

ACCESSORIES ON REQUEST

- Locking devices page 230 - 233
- Actuators 228 - 229
- Mounting holes 19
- Position switches 236 - 237
- Combinations 192 - 194
- Detent on request

MATERIAL CODE DESCRIPTION

| Materials | 112A | 1128 |
|------------|---------------|---------------|
| Body | Steel | Steel |
| Ball | Steel | Steel |
| Stem | Steel | Steel |
| Ball seats | POM | POM |
| O-rings | NBR | FPM |
| Tmin /Tmax | -20°C / 100°C | -20°C / 100°C |

GENERAL DIMENSIONS

| Type | l | B | H | h | m | V | SW | K | H ₂ | Lever |
|-----------|----|----|----|----|------|----|----|-----|----------------|-------|
| BKH-DN13 | 48 | 35 | 54 | 40 | 19 | 11 | 9 | 115 | 89 | Zn |
| BKH-DN20 | 62 | 49 | 75 | 57 | 24,5 | 14 | 14 | 171 | 127 | St |
| BKH-DN25 | 66 | 58 | 83 | 65 | 29,5 | 14 | 14 | 171 | 135 | St |
| BKHP-DN25 | 74 | 70 | 88 | 70 | 34,5 | 14 | 14 | 171 | 140 | St |

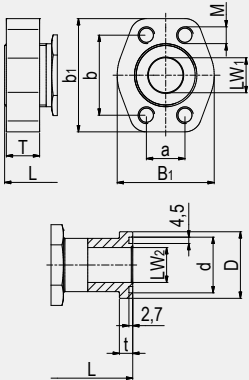
Please note the pressure ratings of the connection flanges!

Ball valve with SAE adapter / split flange adapter Steel

BKH/BKHP-SAE/SAEFS

CONNECTION TYPE

ISO 6162-1



DIMENSIONS

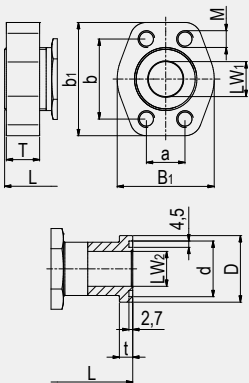
| Type | LW ₁ | LW ₂ | L | B ₁ | b ₁ | T | a | b | M ⁽¹⁾ | d | D | t | Weight [Kg] |
|--------------------------|-----------------|-----------------|-----|----------------|----------------|----|------|------|------------------|------|------|-----|-------------|
| BKH-DN13-SAE210/SAEFS210 | 13 | 13 | 136 | 48 | 56 | 13 | 17,5 | 38,1 | M8 | 25,5 | 30,2 | 6,8 | 1,18 |
| BKH-DN20-SAE210/SAEFS210 | 20 | 19 | 149 | 50 | 65 | 14 | 22,2 | 47,6 | M10 | 31,9 | 38,1 | 6,8 | 2,15 |
| BKH-DN25-SAE210/SAEFS210 | 25 | 25 | 163 | 60 | 70 | 16 | 26,2 | 52,4 | M10 | 39,8 | 44,4 | 8,1 | 3,60 |

ORDER CODE PER MATERIAL COMBINATION

| PN [bar] | 112A | 1128 |
|----------|-------|-------|
| 350 | 53942 | 67258 |
| 350 | 57332 | 62558 |
| 320 | 35339 | 64817 |

CONNECTION TYPE

ISO 6162-2



DIMENSIONS

| Type | LW ₁ | LW ₂ | L | B ₁ | b ₁ | T | a | b | M ⁽¹⁾ | d | D | t | Weight [Kg] |
|---------------------------|-----------------|-----------------|-----|----------------|----------------|----|------|------|------------------|------|------|-----|-------------|
| BKH-DN13-SAE420/SAEFS420 | 13 | 13 | 136 | 48 | 56 | 16 | 18,2 | 40,5 | M8 | 25,5 | 31,8 | 7,9 | 1,20 |
| BKH-DN20-SAE420/SAEFS420 | 20 | 19 | 155 | 60 | 71 | 19 | 23,8 | 50,8 | M10 | 31,9 | 41,3 | 8,9 | 2,26 |
| BKH-DN25-SAE420/SAEFS420 | 25 | 25 | 173 | 70 | 81 | 24 | 27,8 | 57,2 | M12 | 39,8 | 47,6 | 9,6 | 3,75 |
| BKHP-DN25-SAE420/SAEFS420 | 25 | 25 | 181 | 70 | 81 | 24 | 27,8 | 57,2 | M12 | 39,8 | 47,6 | 9,6 | - |

ORDER CODE PER MATERIAL COMBINATION

| PN [bar] | 112A | 1128 |
|----------|------------|------------|
| 420 | 50016 | on request |
| 420 | 47869 | 65559 |
| 350 | 47968 | 71438 |
| 420 | on request | on request |

⁽¹⁾ UNC threads on request.