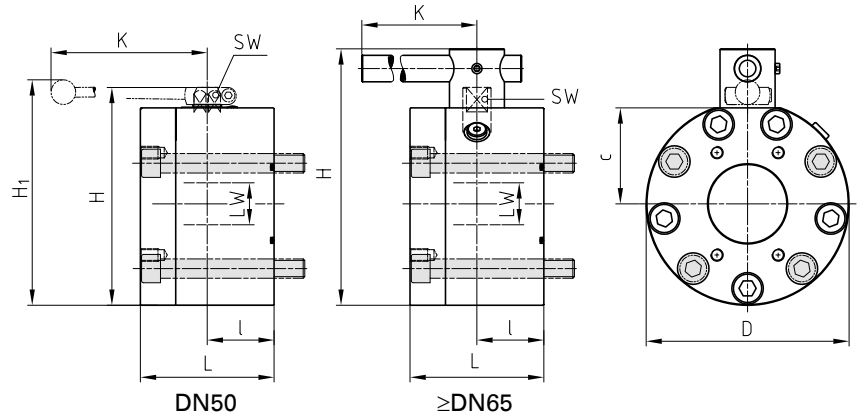
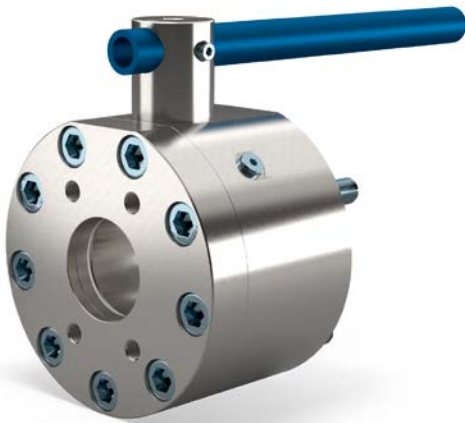


# Flange ball valve with SAE connection metric / UNC Steel

## KH-SAE flangeable

Two-way



### AVAILABLE SIZES

DN50 - DN125 (2" to 5")

### CONNECTIONS

ISO6162-1 (single flange pattern), other connection types and sizes on request

### ACCESSORIES ON REQUEST

- Locking devices page 230 - 234
- Actuators 228 - 229
- Mounting holes on request
- Position switches on request
- Combinations on request
- Detent on request

### MATERIAL CODE DESCRIPTION

Materials	DN50 212A	DN50 2128	DN65-125 282A	DN65-125 2828
Body	Steel	Steel	Steel	Steel
Ball	Steel	Steel	Steel	Steel
Stem	Steel	Steel	Duplex	Duplex
Ball seats	POM	POM	POM	POM
O-rings	NBR	FPM	NBR	FPM
Tmin / Tmax	-10°C / 100°C	-10°C / 100°C	-10°C / 100°C	-10°C / 100°C

### GENERAL DIMENSIONS

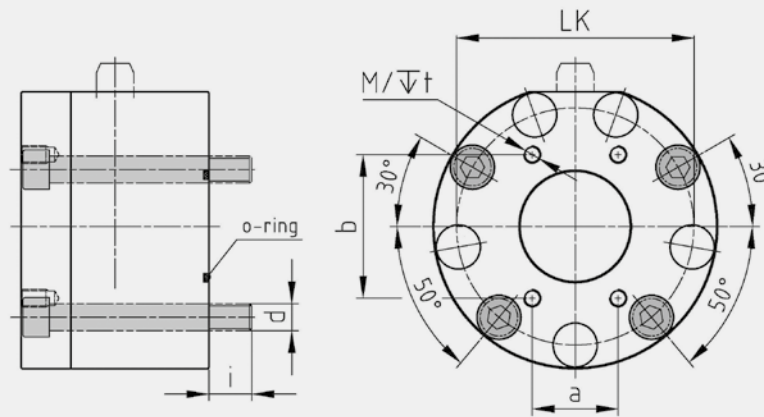
Type	LW	L	I	D	H	c	K	SW	H <sub>1</sub>	Lever
KH-DN65	63	150	75	198	259	94	600	16	-	St <sup>(1)</sup>
KH-DN80 (PN100)	76	140	70	210	277	100	600	19	-	St <sup>(1)</sup>
KH-DN80 (PN160)	76	150	79	218	284	103,5	600	19	-	St <sup>(1)</sup>
KH-DN100	100	170	85	258	326	122	900	24	-	St <sup>(1)</sup>
KH-DN125	118	210	105	295	377	140	900	36	-	St <sup>(1)</sup>

Please note the pressure ratings of the connection flanges!

<sup>(1)</sup> Lever must be fixed centrally during operation. In case of vibration the lever may otherwise operate the valve by itself.

### CONNECTION TYPE

ISO 6162-1



### DIMENSIONS

### ORDER CODE PER MATERIAL COMBINATION

Type	a	b	M	t	LK	d	i	Dimension of screws (min) <sup>(1)</sup>	O-ring <sup>(2)</sup>	Weight [Kg]	PN [bar]	212A (282A)	2128 (2828)
KH-DN65-SAE210	50,8	88,9	M12	19	163	M20	32	4x M20x160	69,44x3,53	29,70	175	40180	40188
KH-DN80-SAE210	61,9	106,4	M16	24	175	M20	32	4x M20x150	85,32x3,53	34,00	100	40181	40189
KH-DN80-SAE210	61,9	106,4	M16	24	182	M20	32	4x M20x160	85,32x3,53		160	59903	59904
KH-DN100-SAE210	77,8	130,2	M16	24	215	M24	26	4x M24x170	110,72x3,53	59,50	35	40182	40190
KH-DN125-SAE210	92,1	152,4	M16	30	248	M27	35	4x M27x215	136,12x3,53	96,50	35	40183	40191
KH-DN65-SAE210	50,8	88,9	1/2"UNC	19	163	3/4"UNC	31	4x 3/4"UNCx6 1/4"	69,44x3,53	27,90	175	40184	40192
KH-DN80-SAE210	61,9	106,4	5/8"UNC	24	175	3/4"UNC	28	4x 3/4"UNCx5 3/4"	85,32x3,53	32,30	100	40185	40193
KH-DN80-SAE210	61,9	106,4	5/8"UNC	24	182	3/4"UNC	31	4x 3/4"UNCx6 1/4"	85,32x3,53		160	59905	59906
KH-DN100-SAE210	77,8	130,2	5/8"UNC	24	215	1"UNC	27,5	4x 1"UNCx6 3/4"	110,72x3,53	56,60	35	40186	40194
KH-DN125-SAE210	92,1	152,4	5/8"UNC	30	248	1 1/8"UNC	35	4x 1 1/8"UNCx8 1/2"	136,12x3,53	91,40	35	40187	39344

<sup>(1)</sup> Metric screws included, UNC screws not included

<sup>(2)</sup> O-ring included

Also available with ISO6162-2 and ISO6164 connection.