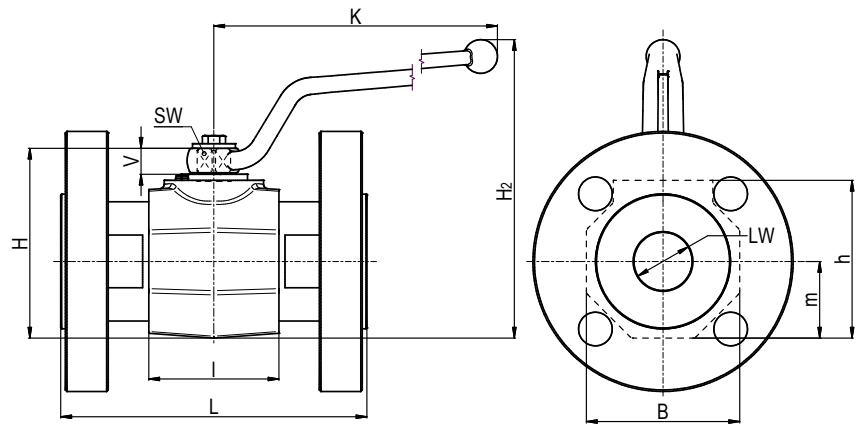


Two-way



AVAILABLE SIZES

DN32 - DN50 (1 1/4" to 2")

CONNECTIONS

DIN EN 1092-1 (10/40 bar, 63 bar, 100/160 bar, 250 bar, 320 bar)
Overall length in accordance with DIN EN 558 F1

ACCESSORIES ON REQUEST

- Locking devices on request
- Actuators page 228 - 229
- Mounting holes 26
- Position switches on request
- Combinations on request
- Detent on request

MATERIAL CODE DESCRIPTION

Materials	112A	1128
Body	Steel	Steel
Ball	Steel	Steel
Stem	Steel	Steel
Ball seats	POM	POM
O-rings	NBR	FPM
Tmin / Tmax	-20°C / 100°C	-20°C / 100°C

GENERAL DIMENSIONS

Type	LW	l	B 8Kt	H	h	m	V	SW	K	H ₂	Lever
MKHP-DN32	32	80	81	107	86	40,5	16,5	17	306	180	St
MKHP-DN40	38	85	100	124	103	50	16,5	17	306	197	St
MKHP-DN50	48	100	118	138	117	59	16,5	17	306	211	St

CONNECTION TYPE	DIMENSIONS									ORDER CODE PER MATERIAL COMBINATION		
DIN EN 1092-1 F10/40	Type	L	D ₂	D	LK	d	t	f	Weight [Kg]	PN [bar]	112A	1128
	MKHP-DN32-DIN10/40	180	78	140	100	4 x Ø18	16	2	8,82	40	20232	31140
	MKHP-DN40-DIN10/40	200	88	150	110	4 x Ø18	20	3	14,29	40	15099	29179
	MKHP-DN50-DIN10/40	230	102	165	125	4 x Ø18	20	3	16,19	40	16035	29581
DIN EN 1092-1 F63	Type	L	D ₂	D	LK	d	t	f	Weight [Kg]	PN [bar]	112A	1128
	MKHP-DN32-DIN63	180	78	155	110	4 x Ø22	26	2	11,12	63	20233	37554
	MKHP-DN40-DIN63	200	88	170	125	4 x Ø22	28	3	14,79	63	20234	37555
	MKHP-DN50-DIN63	230	102	180	135	4 x Ø22	26	3	18,49	63	15445	37556
DIN EN 1092-1 F100/160	Type	L	D ₂	D	LK	d	t	f	Weight [Kg]	PN [bar]	112A	1128
	MKHP-DN32-DIN100/160	180	78	155	110	4 x Ø22	26	2	11,12	160	20235	25398
	MKHP-DN40-DIN100/160	200	88	170	125	4 x Ø22	28	3	20,84	160	06790	32430
	MKHP-DN50-DIN100/160	230	102	195	145	4 x Ø26	30	3	21,89	160	17973	20798
DIN EN 1092-1 F250	Type	L	D ₂	D	LK	d	t	f	Weight [Kg]	PN [bar]	112A	1128
	MKHP-DN40-DIN250	200	88	185	135	4 x Ø26	34	3	18,79	250	15022	26261
	MKHP-DN50-DIN250	230	102	200	150	8 x Ø26	35	3	24,19	250	06832	31288
DIN EN 1092-1 F320	Type	L	D ₂	D	LK	d	t	f	Weight [Kg]	PN [bar]	112A	1128
	MKHP-DN40-DIN320	200	88	195	145	4 x Ø26	35	3	20,47	320	18260	27846
	MKHP-DN50-DIN320	230	102	210	160	8 x Ø26	40	3	26,80	320	20236	27758