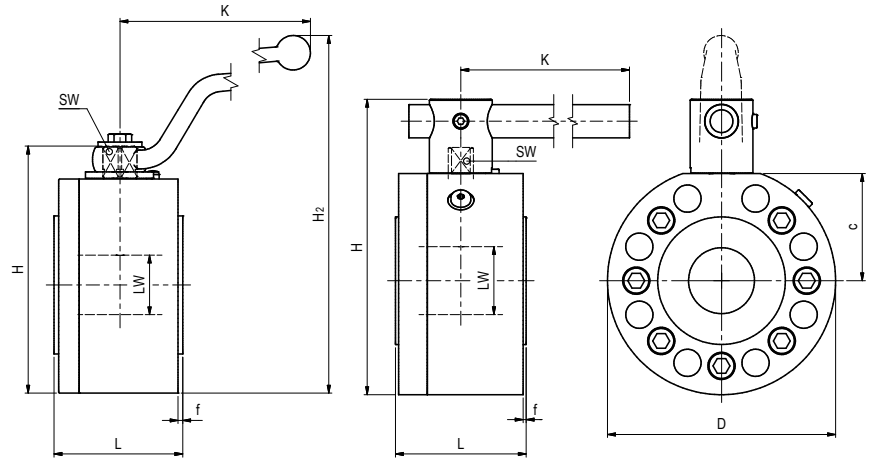


# Flange ball valve with DIN connection Steel

## KH-DIN

Two-way



### AVAILABLE SIZES

DN40 - DN150 (1 1/2" to 6")

### CONNECTIONS

DIN EN 1092-1 (10/40 bar, 100/160 bar)

### ACCESSORIES ON REQUEST

- Locking devices on request
- Actuators page 228 - 229
- Mounting holes on request
- Position switches on request
- Combinations on request
- Detent on request

### MATERIAL CODE DESCRIPTION

Materials	212A	2128
Body	Steel	Steel
Ball	Steel	Steel
Stem	Steel	Steel
Ball seats	POM	POM
O-rings	NBR	FPM
Tmin / Tmax	-10°C / 100°C	-10°C / 100°C

### GENERAL DIMENSIONS

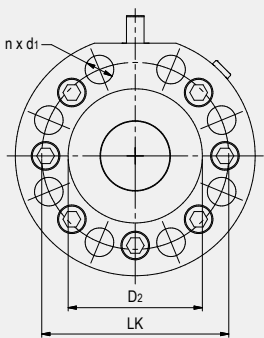
Type	LW	L	D	H	c	K	SW	Lever <sup>(2)</sup>
KH-DN40-DIN10/40	38	82	138	157	67,5	306	17	St
KH-DN40-DIN100/160	38	87,5	158	174	74	306	17	St
KH-DN50-DIN10/40	48	83	158	172,5	72,5	306	17	St
KH-DN50-DIN100/160	48	92	178	190	80	306	17	St
KH-DN65-DIN10/40	63	125	178	244	84	600	16	St
KH-DN65-DIN100/160	63	125	218	282,5	102,5	600	16	St
KH-DN80-DIN10/40	76	122	198	265	95	600	16	St
KH-DN80-DIN100/160	76	140	228	300	109,5	600	19	St
KH-DN100-DIN10/40	100	160	228	298	107	600	19	St

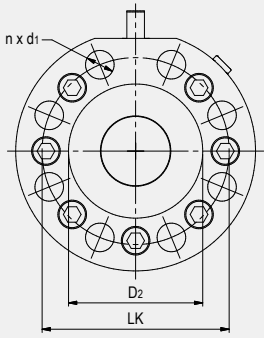
<sup>(1)</sup> Please consider pressure reduction at higher temperatures.

<sup>(2)</sup> Lever must be fixed centrally during operation. In case of vibration the lever may otherwise operate the valve by itself.

# Flange ball valve with DIN connection Steel

## KH-DIN

CONNECTION TYPE	DIMENSIONS											ORDER CODE PER MATERIAL COMBINATION		
DIN EN 1092-1 FF10/40	Type	LK	n*	d <sub>1</sub>	t <sub>1</sub>	t <sub>2</sub>	d <sub>2</sub>	D <sub>2</sub>	f	Weight [Kg]	PN [bar]	212A	2128	
	KH-DN40-DIN10/40	110	4	-	-	-	18	88	3	12,00	40	68211	on request	
	KH-DN50-DIN10/40	125	4	-	-	-	18	102	3	14,00	40	68212	on request	
	KH-DN65-DIN10/40	145	8	-	-	-	18	122	3	21,50	40	68213	on request	
	KH-DN80-DIN10/40	160	8	-	-	-	18	138	3	25,00	40	68214	on request	
	KH-DN100-DIN40	190	8	-	-	-	22	162	3	59,50	40	68215	on request	
	further sizes on request													

DIN EN 1092-1 FF100/160	Type	LK	n*	d <sub>1</sub>	t <sub>1</sub>	t <sub>2</sub>	d <sub>2</sub>	D <sub>2</sub>	f	Weight [Kg]	PN [bar]	212A	2128
	KH-DN40-DIN100/160	125	4	-	-	-	22	88	3	14,00	160	68218	on request
	KH-DN50-DIN100/160	145	4	-	-	-	26	102	3	19,00	160	68219	on request
	KH-DN65-DIN100/160	170	8	-	-	-	26	122	3	31,60	160	68220	on request
	KH-DN80-DIN100/160	180	8	-	-	-	26	138	3	37,30	160	68221	on request
	further sizes on request												

\*n = number of holes / threads

Two-way