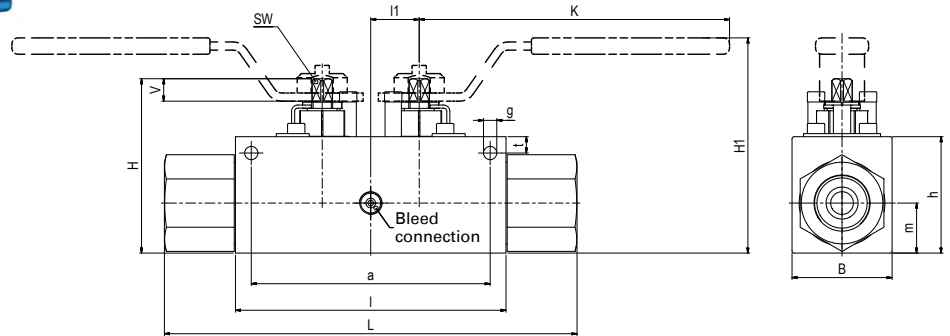


Double safety and bleed valve Stainless Steel

HFKH650

H₂ Ready



AVAILABLE SIZES

DN8 (3/8"), DN13 (1/2"), DN25 (1")

CONNECTIONS

C&T Medium Pressure, others on request

ACCESSORIES ON REQUEST

- Locking devices
- Actuators
- Mounting holes
- Position switches
- Detent
- **Needle or ball valve bleed**

MATERIAL CODE DESCRIPTION

Materials	44g8
Body	1.4571
Ball	1.4571 / Nitronic-50®
Stem	Nitronic-50®
Ball seats	PEEK
Body and stem sealing	FKM / PTFE*
Tmin / Tmax	-40°C / +85°C*

*Others on request.

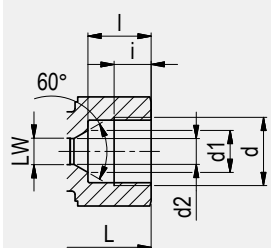
CERTIFICATION

ATEX IIC (H₂), Ex-zone 1, 2G
DIN EN ISO 15848-1 (low emission)

GENERAL DIMENSIONS

Type	l	B	H	h	m	Vmin	SW	a	g	t	l1	K	H1	Lever
DSB-HFKH650-DN8	131	49	85,5	57	24,5	11	8	115	Ø6,5	8	27,75	152	105	St
DSB-HFKH650-DN13	132,5	49	85,5	57	24,5	11	8	117	Ø6,5	8	23,75	152	105	St
DSB-HFKH650-DN25	190	78	126,5	97	39	11	12	160	Ø9	17	35	202	151,5	St

C&T MEDIUM PRESSURE

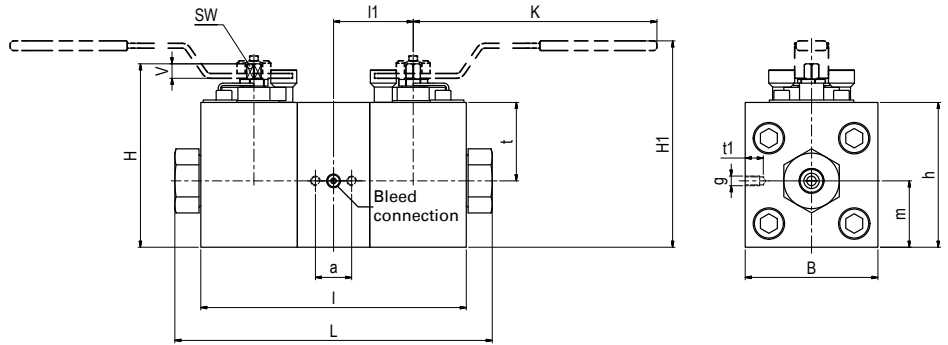


Type	LW	L	i	d	d1	d2	l	Weight [Kg]	PN [bar]	44g8
DSB-HFKH650-DN8-9/16" C&T	8	176,6	11,2	13/16-16UN	12,7	7,8	19,1	3,5	650	on request
DSB-HFKH650-DN13-1" C&T	13	222,5	20,6	1 3/8-12UNF	22,4	14,3	33,3	4,6	650	on request
DSB-HFKH650-DN25-1 1/2" C&T	25	289,6	25,4	1 7/8-12UNF	35	23,8	40,5	13,5	650	on request

Double safety and bleed valve Stainless Steel

HFKH1000

H₂ Ready



AVAILABLE SIZES

DN8 (3/8")

CONNECTIONS

C&T Medium Pressure, others on request

ACCESSORIES ON REQUEST

- Locking devices
- Actuators
- Mounting holes
- Position switches
- Detent
- **Needle or ball valve bleed**

MATERIAL CODE DESCRIPTION

Materials	44m8
Body	1.4571
Ball	1.4571 / Nitronic-50®
Stem	Nitronic-50®
Ball seats	PEEK
Body and stem sealing	FKM / PTFE*
Tmin / Tmax	-40°C / +85°C*

*Others on request.

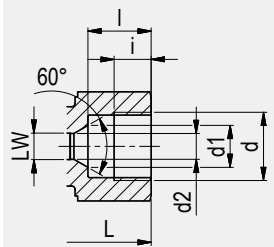
CERTIFICATION

ATEX IIC (H₂), Ex-zone 1, 2G
DIN EN ISO 15848-1 (low emission)

GENERAL DIMENSIONS

Type	I	B	H	h	m	Vmin	SW	a	g	t1	t	I1	K	H1	Lever
DSB-HFKH1000-DN8	220	110	152	120	55	12	9	30	M8	15	65	66	202	171	St

C&T MEDIUM PRESSURE



Type	LW	L	i	d	d1	d2	l	Weight [Kg]	PN [bar]	44m8
DSB-HFKH1000-DN8-9/16" C&T	8	263	11,2	13/16-16UN	12,7	7,8	19,1	24,3	1034	on request