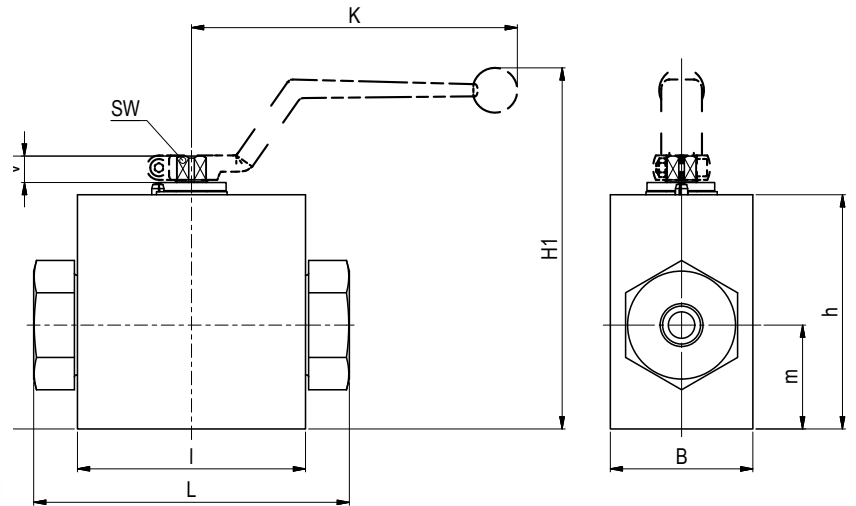


# Block ball valve Stainless Steel

## HFKH1000

H<sub>2</sub> Ready



### AVAILABLE SIZES

DN6 (1/4") to DN20 (3/4")

### CONNECTIONS

DIN ISO 228 Female thread, ANSI B1.20.1 NPT Female thread, others on request

### ACCESSORIES ON REQUEST

- Locking devices
- Actuators
- Mounting holes
- Position switches
- Combinations
- Detent

### MATERIAL CODE DESCRIPTION

Materials	44m8
Body	1.4571
Trunnion	Nitronic-50
Ball seats	PEEK
Body and stem sealing	FKM
Tmin /Tmax	-40°C / +150°C

Other seal materials like EPDM on request depending on the application conditions.

### GENERAL DIMENSIONS

Type	L	B	H	h	m	Vmin	SW	K	H1	Lever
HFKH1000-DN6	105	65	110	100	49	6,3	7	76	132	Zn
HFKH1000-DN13	112	70	134	115	51	13	12	160	177,3	Al
HFKH1000-DN20	150	100	180	160	70	14	14	200	183,5	Zn

CONNECTION TYPE	DIMENSIONS						ORDER CODE PER MATERIAL COMBINATION	
DIN ISO 228 FEMALE THREAD	Type	LW	L	i	d	Weight [Kg]	PN [bar]	44m8
	HFKH1000-DN6-G 1/4	6	138	14	G 1/4	5,92	1000	on request
	HFKH1000-DN13-G 1/2	13	155	16,3	G 1/2	7,93	1000	on request
	HFKH1000-DN20-G 3/4	20	193	18	G 3/4	20,76	1000	on request

ANSI B1.20.1 NPT FEMALE THREAD	Type	LW	L	i	d	Weight [Kg]	PN [bar]	44m8
	HFKH1000-DN6-1/4" NPT	6	138	13,7	1/4" NPT	5,92	1000	on request
	HFKH1000-DN13-1/2" NPT	13	155	17	1/2" NPT	7,93	1000	on request
	HFKH1000-DN20-3/4" NPT	20	193	18,3	3/4" NPT	20,76	1000	on request

Please note the pressure ratings of the tube connections!

## HFKH1000 also available as automated version

Your ball valve shall be automated? No problem! Upon request, you can have your ball valve equipped with a pneumatic, electric or hydraulic actuator. By adding accessories such as limit switch boxes or solenoid valves, the actuators can be individually adapted to your control technology. Even 3-position solutions for e.g. multi-way ball valves can be realized.

We adapt the drive design individually to your application. When sizing actuators, we pay attention to the inclusion of the appropriate safety factors so that the smooth operation of your system will be guaranteed at all times.

