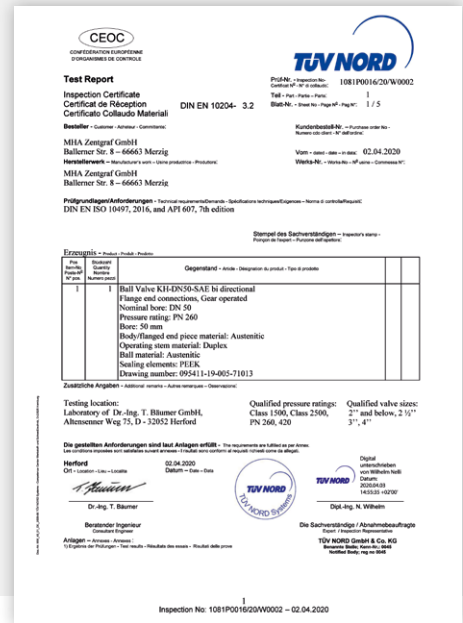
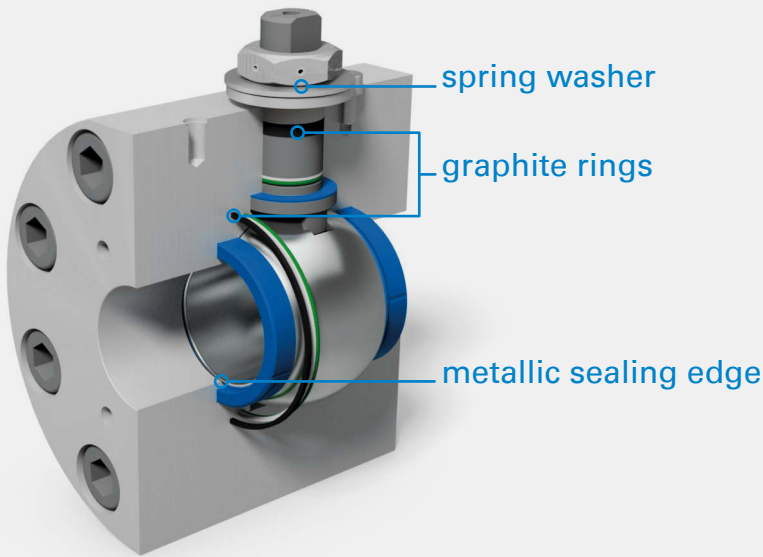


Ball valves with firesafe approval



When handling flammable liquids, safety must be a prime consideration. Great importance is therefore attributed to the design of "firesafe" shut-off valves utilized in many industrial environments including:

- Chemical and petrochemical plants
- Oil drilling and refineries
- On- /offshore installations

When fire does break out, it is important that it does not spread through failures in pipe-work systems. Even under the most extreme conditions shut-off valves must provide:

- Secure operation
- Reliable sealing in shut-off position
- Reliable sealing from ambient atmosphere

Sizes from 1/2" to 3"

420 bar (6.000 psi)

Bi-directional usage

Certified acc. ISO 10497, API 607

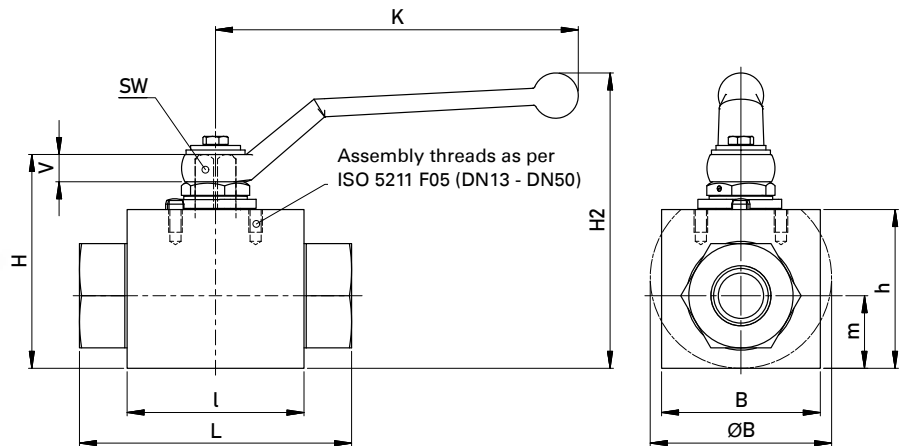
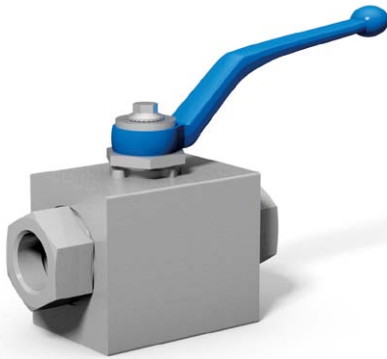
Additional tests and documentation on request (e.g. PMI, penetrant testing, gas test, ...)

- 1.4571 (AISI316Ti) body and connector material
- PEEK ball seats
- FPM o-rings (or others on request)
- Graphite secondary seats

- Threaded connections: (ISO 228, NPT female, UN female, DIN 2353 cutting ring, ...)
- Flange connections: (ISO 6162-1/2, ISO 6164, ANSI RF, ...)

Block ball valve with fire-safe approval (bi-direct) Stainless Steel

BKH



AVAILABLE SIZES

DN13 - DN50 (1/2" to 2")

CONNECTIONS

DIN ISO 228 Female thread, ANSI B1.20.1 NPT Female thread, DIN 2353/ISO 8434-1 Light / Heavy series, SAE J 514/ISO/DIS11926-1 Female thread, ISO 7/1 Rc Female thread, ISO 8434-3 ORFS Male thread, others on request

ACCESSORIES ON REQUEST

- Locking devices on request
- Actuators on request
- Mounting holes on request
- Position switches on request
- Combinations on request
- Detent on request

MATERIAL CODE DESCRIPTION

Materials	44m8
Body	Stainless Steel
Ball	Stainless Steel
Stem	Stainless Steel
Primary ball seats	PEEK
Secondary ball seats	Stainless Steel
Primary body and stem sealing	FPM
Secondary body and stem sealing	Graphite
Tmin /Tmax	-20°C / 200°C

GENERAL DIMENSIONS

Type	L	B	H	h	m	V _{min}	SW	K	H ₂	Lever
< DN13 on request										
BKH-DN13	74,5	49	72	57	31,3	8	9	133	99	SS
BKH-DN20	78	70	94	70	32	9,5	14	161	127	SS
BKH-DN25	78	70	94	70	29,5	9,3	14	161	127	SS
BKH-DN32	102	Ø112	132	101,5	56	14	17	227	208	SS
BKH-DN40	97	Ø120	143	113	60	14	17	227	216	SS
BKH-DN50	101	Ø132	154,5	124	66	14,4	17	227	230	SS

Fire-safe approval as per DIN EN ISO 10497 (2016) and API 607 (7th edition)

Block ball valve with fire-safe approval (bi-direct) Stainless Steel

BKH



CONNECTION TYPE	DIMENSIONS						ORDER CODE PER MATERIAL COMBINATION	
DIN ISO 228 FEMALE THREAD	Type	LW	L	i	d	Weight [Kg]	PN [bar]	44m8
	BKH-DN13-G 1/2	12	105	16,3	G 1/2	1,90	420	71018
	BKH-DN20-G 3/4	20	120	18	G 3/4	3,41	420	71019
	BKH-DN25-G 1	25	125	20	G 1	3,41	420	71022
	BKH-DN32-G 1 1/4	32	138	22	G 1 1/4	8,00	420	71670
	BKH-DN40-G 1 1/2	35	150	24	G 1 1/2	9,38	420	71673
	BKH-DN50-G 2	48	165	26	G 2	11,63	420	71676

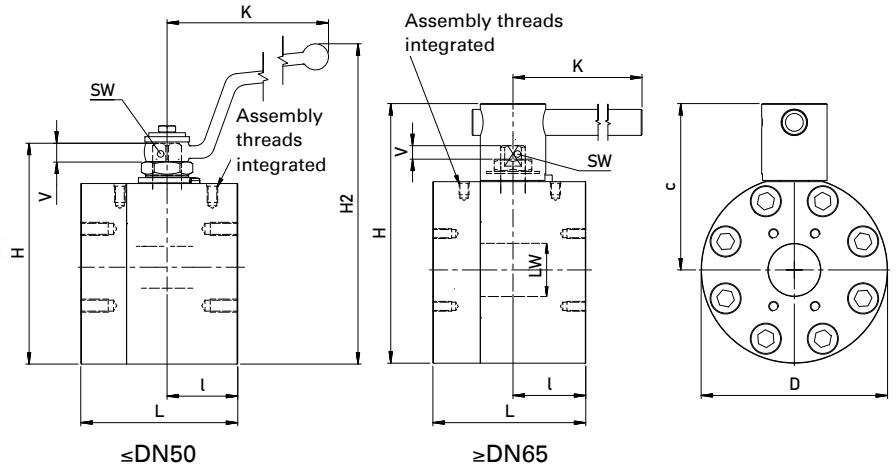
ANSI B1.20.1 NPT FEMALE THREAD	Type	LW	L	i	d	Weight [Kg]	PN [bar]	44m8
	BKH-DN13-1/2" NPT	12	105	17	1/2" NPT	1,90	420	71025
	BKH-DN20-3/4" NPT	20	120	18	3/4" NPT	3,41	420	71019
	BKH-DN25-1" NPT	25	125	21,6	1" NPT	3,41	420	71028
	BKH-DN32-1 1/4" NPT	32	138	22,1	1 1/4" NPT	8,00	420	71950
	BKH-DN40-1 1/2" NPT	35	150	22,1	1 1/2" NPT	9,38	420	71951
	BKH-DN50-2" NPT	48	165	30,3	2" NPT	11,63	420	71952

Assembly threads as per ISO 5211 F05 (DN13 - DN50).

Please note the pressure ratings of the tube connections!

Flange ball valve with fire-safe approval (bi-direct) Stainless Steel

KH-SAE



AVAILABLE SIZES

DN25 - DN125 (1" to 5")

CONNECTIONS

ISO 6162-1, ISO 6162-2 (single flange pattern), others on request

ACCESSORIES ON REQUEST

- Locking devices on request
- Actuators on request
- Mounting holes on request
- Position switches on request
- Combinations on request
- Detent on request

MATERIAL CODE DESCRIPTION

Materials	44m8
Body	Stainless Steel
Ball	Stainless Steel
Stem	Stainless Steel
Primary all seats	PEEK
Secondary ball seats	Stainless Steel
Primary body and stem sealing	FPM
Secondary body and stem sealing	Graphite
Tmin /Tmax	-20°C / 200°C

GENERAL DIMENSIONS

Type	LW	L	I	D	H	c	V _{min}	SW	K	H ₂	Lever	
KH-DN25	25	115	49	120	133	46	11	14	160	170	SS	
KH-DN32	32	120	54	148	174	64	14	17	227	248	SS	
KH-DN40	43	130	55	175	197	79	14,4	17	227	273	SS	
KH-DN50	48	140	65	198	220	94	10,1	17	227	299	SS	
KH-DN65	64	187	85	224	318	108	16,5	22	600	-	SS ⁽¹⁾	
KH-DN80	76/72	200	98	280	365	128,5	19,1	22	600	-	SS ⁽¹⁾	
KH-DN100											on request	SS ⁽¹⁾

Fire-safe approval as per DIN EN ISO 10497 (2016) and API 607 (7th edition)

⁽¹⁾ Lever must be fixed centrally during operation. In case of vibration the handle may otherwise operate the valve by itself.

Flange ball valve with fire-safe approval (bi-direct) Stainless Steel

KH-SAE



CONNECTION TYPE	DIMENSIONS						ORDER CODE PER MATERIAL COMBINATION		
ISO 6162-1 (single flange pattern)	Type	a	b	M	t	Weight [Kg]	PN [bar]	44m8	
	KH-DN25-SAE210	52,4	26,2	M10	20	9,0	320	69713	
	KH-DN32-SAE210	30,2	58,7	M10	21	15,5	280	69716	
	KH-DN40-SAE210	35,7	69,9	M12	21	23,0	210	69709	
	KH-DN50-SAE210	42,9	77,8	M12	21	31,1	210	69707	
	KH-DN65-SAE210	50,8	88,9	M12	23	57,0	175	69732	
	KH-DN80-SAE210	61,9	106,4	M16	24	93,0	160	69735	
	KH-DN100-SAE210	on request						on request	

CONNECTION TYPE	DIMENSIONS						ORDER CODE PER MATERIAL COMBINATION		
ISO 6162-2 (single flange pattern)	Type	a	b	M	t	Weight [Kg]	PN [bar]	44m8	
	KH-DN25-SAE420	27,8	57,2	M12	20	9,0	420	69729	
	KH-DN32-SAE420	31,8	66,7	M12	21	15,5	420	69726	
	KH-DN40-SAE420	36,5	79,4	M16	27	23,0	420	69723	
	KH-DN50-SAE420	44,5	96,8	M20	28	31,1	420	69720	
	KH-DN65-SAE420	58,7	123,8	M24	41	57,0	420	69738	
	KH-DN80-SAE420	71,4	152,4	M30	47	93,0	420	69741	
	KH-DN100-SAE420	on request						on request	

Assembly threads integrated.

Please note the pressure ratings of the connection flanges!